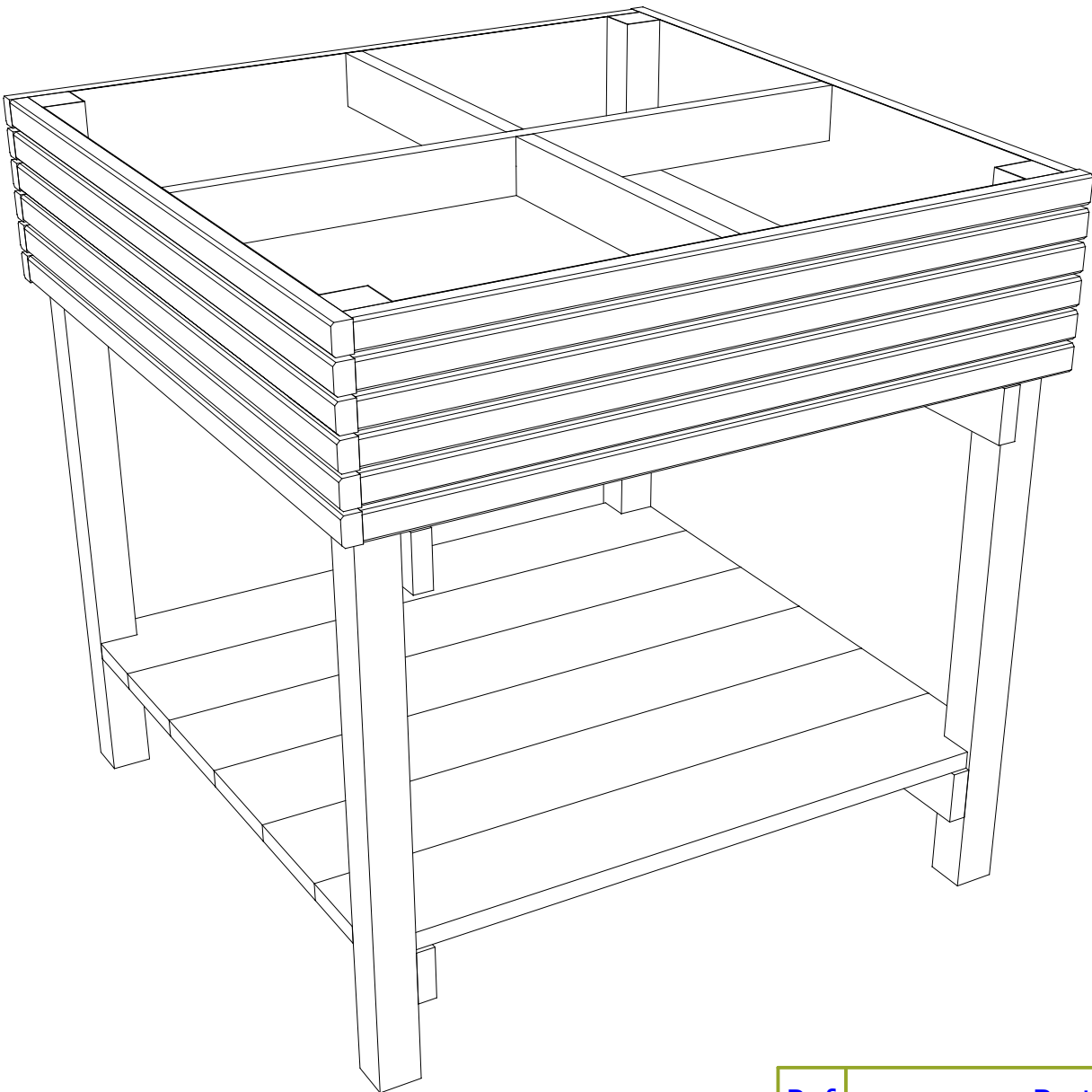


# S7256

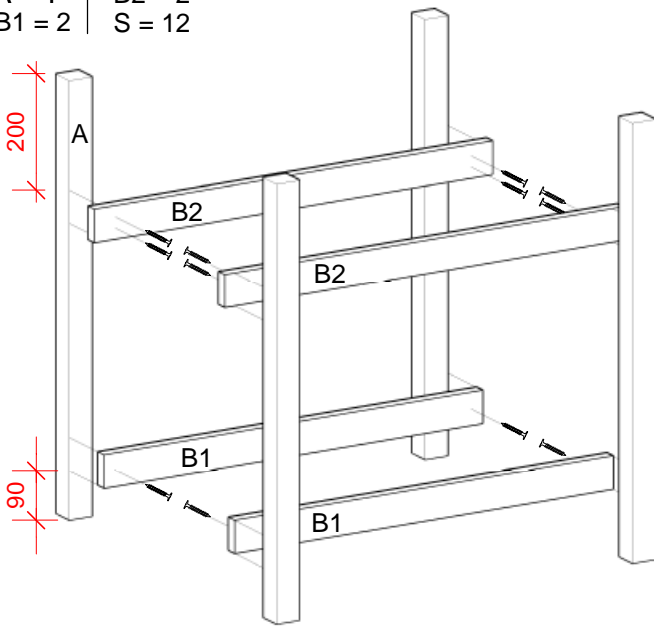


Ref.	Bruto	#
A	45 x 45 x 800	4
B1	20 x 60 x 760	2
B2	20 x 60 x 800	2
C	20 x 123 x 760	8
C1	20 x 123 x 760	2
C2	20 x 123 x 760	2
D	20 x 200 x 778	4
E	foil, feuille, folie	1
F	20 x 60 x 760	2
S	Screws 3.5 x 50	80

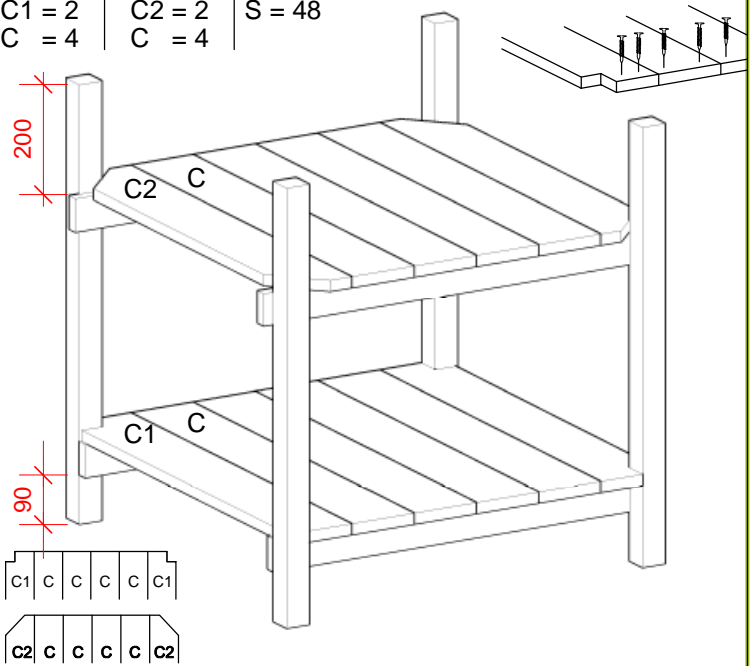
# S7256

A = 4  
B1 = 2

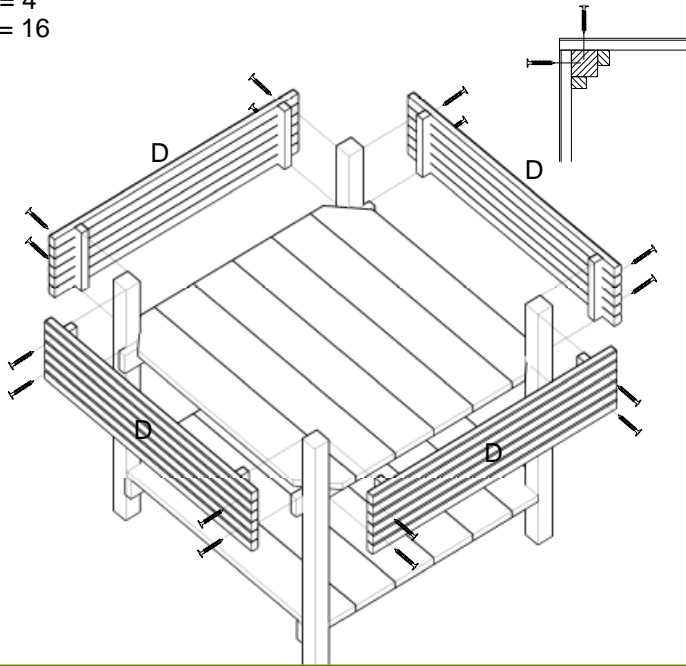
B2 = 2  
S = 12



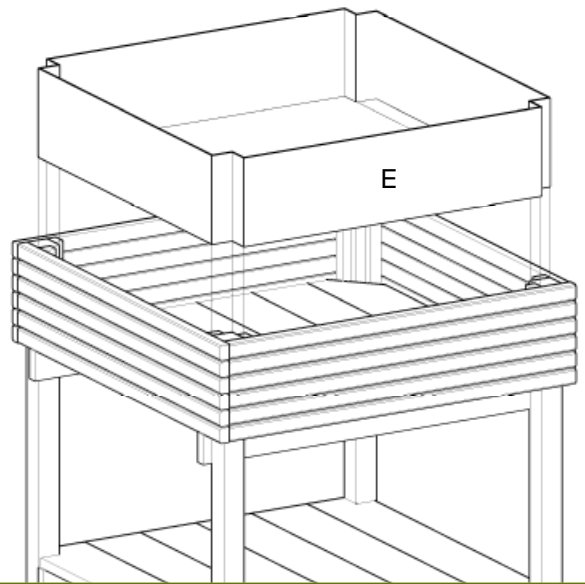
C1 = 2 | C2 = 2 | S = 48  
C = 4 | C = 4



D = 4  
S = 16



E = 1



F = 2  
S = 4

