

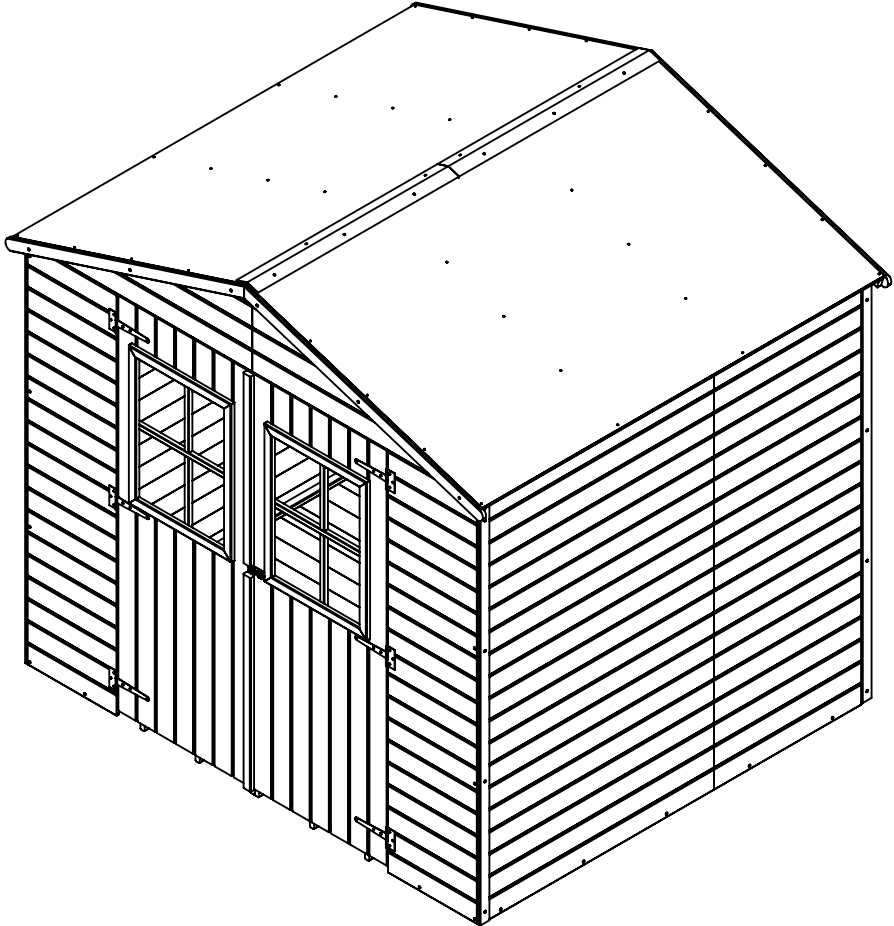
forest  
style

Ref.002803

Vers.2





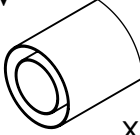
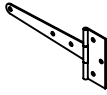
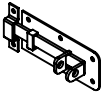

# COMBLOX

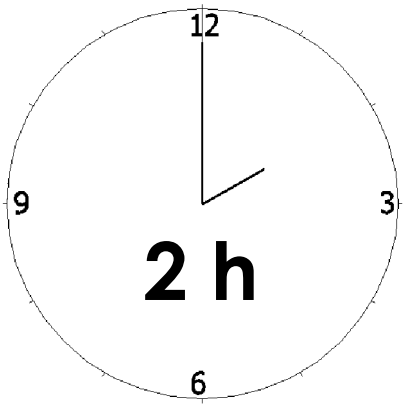
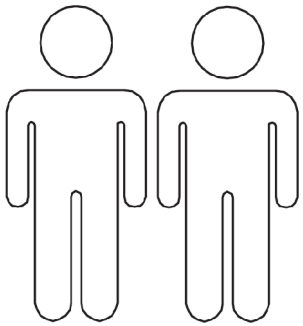
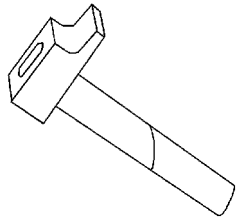
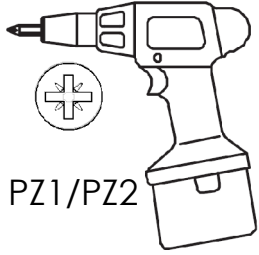
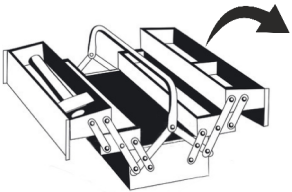
213x191x278 cm

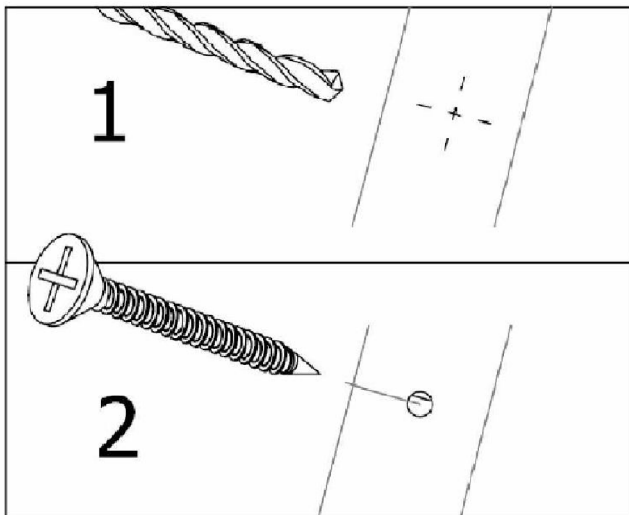
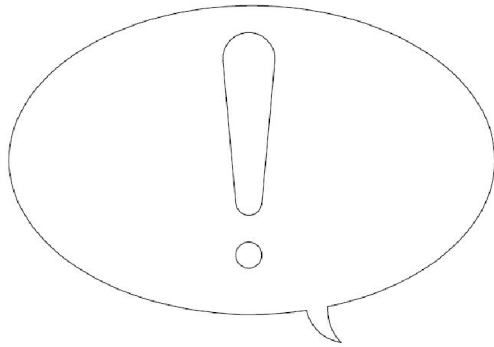


forest-style

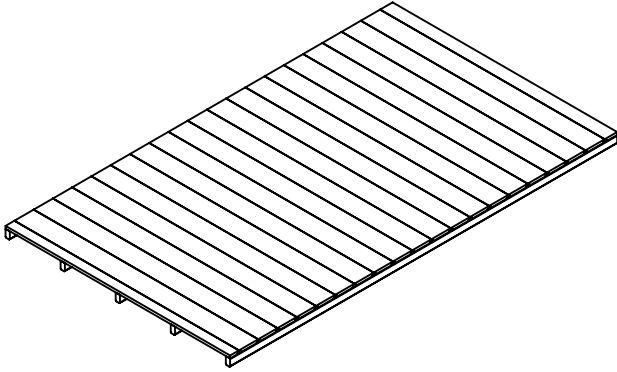


I $\varnothing$ 4x30 mm  x90	II $\varnothing$ 4x60 mm  x34	III $\varnothing$ 3x20 mm  x30	IV  x140
V  x3	VI  x6	VII  x1	VIII  x1



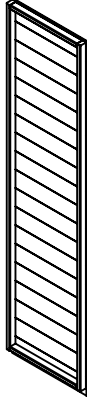


A



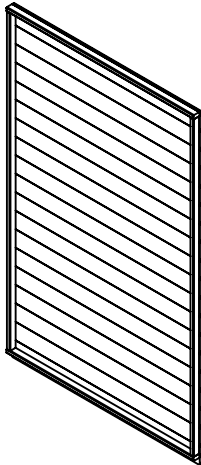
x2

B



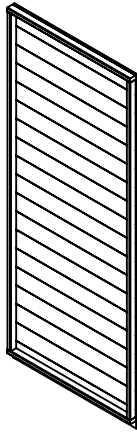
x2

C



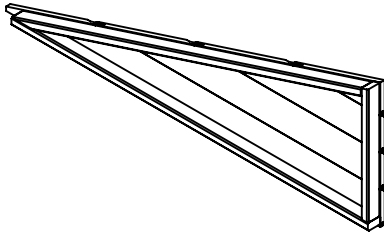
x4

D



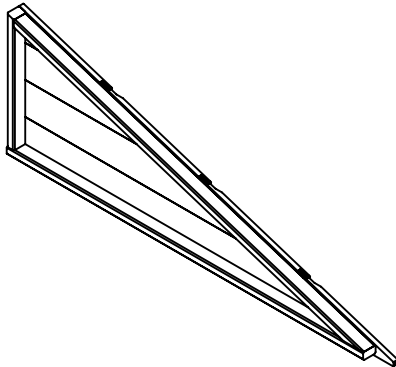
x2

E



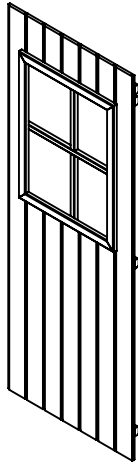
x2

F



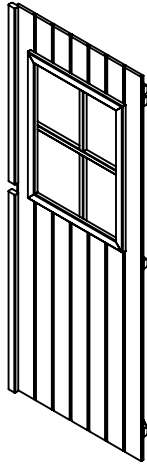
x2

G



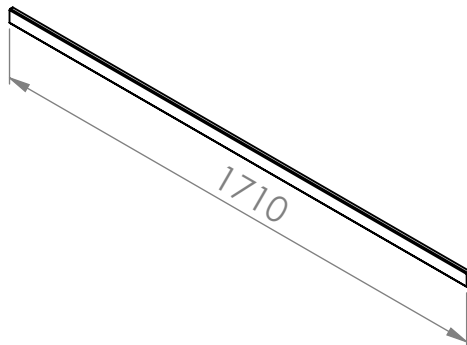
x1

H



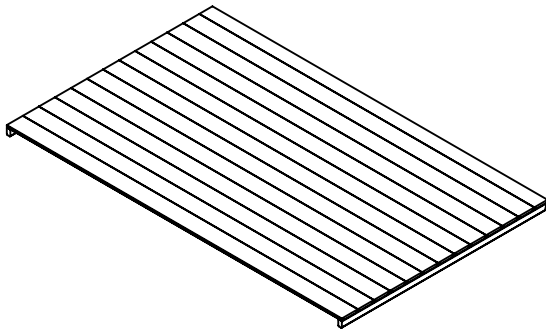
x1

J



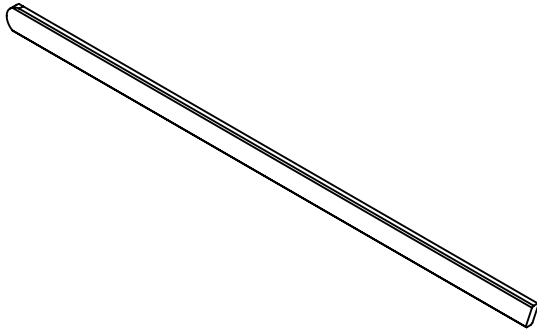
x4

K



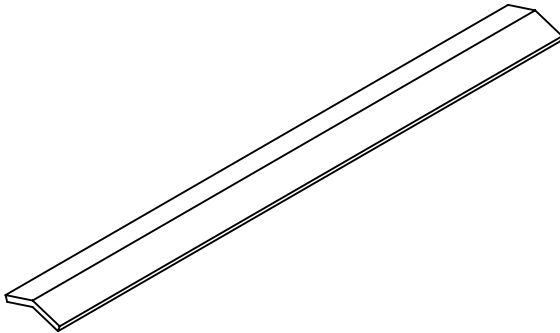
x2

L



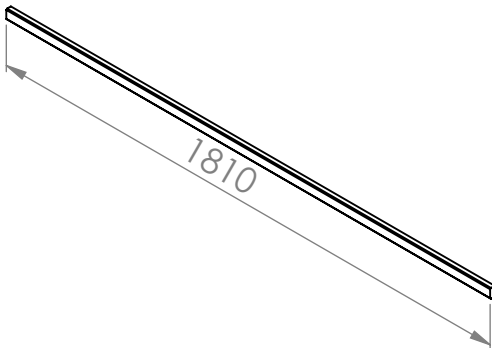
x4

M



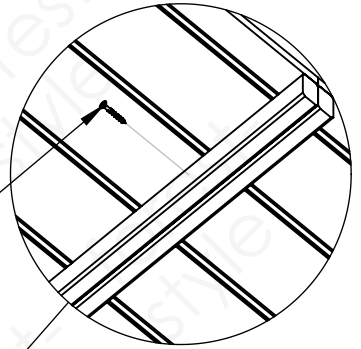
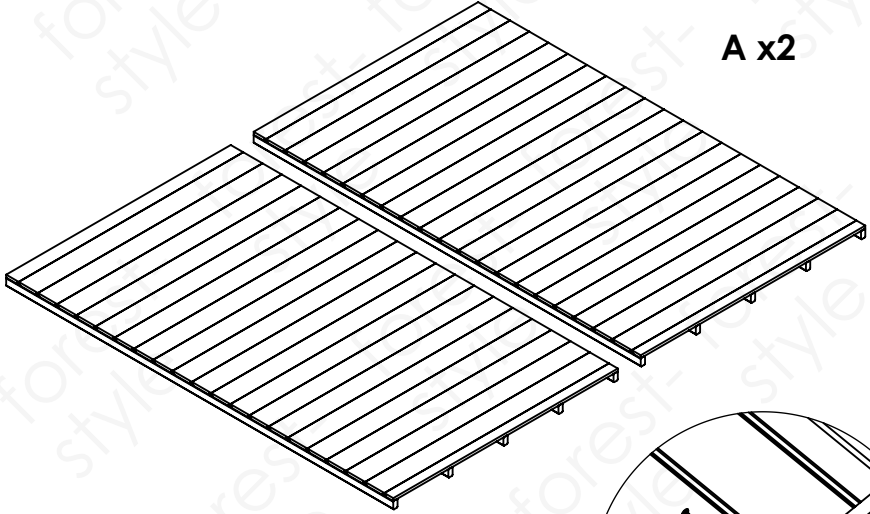
x2

N

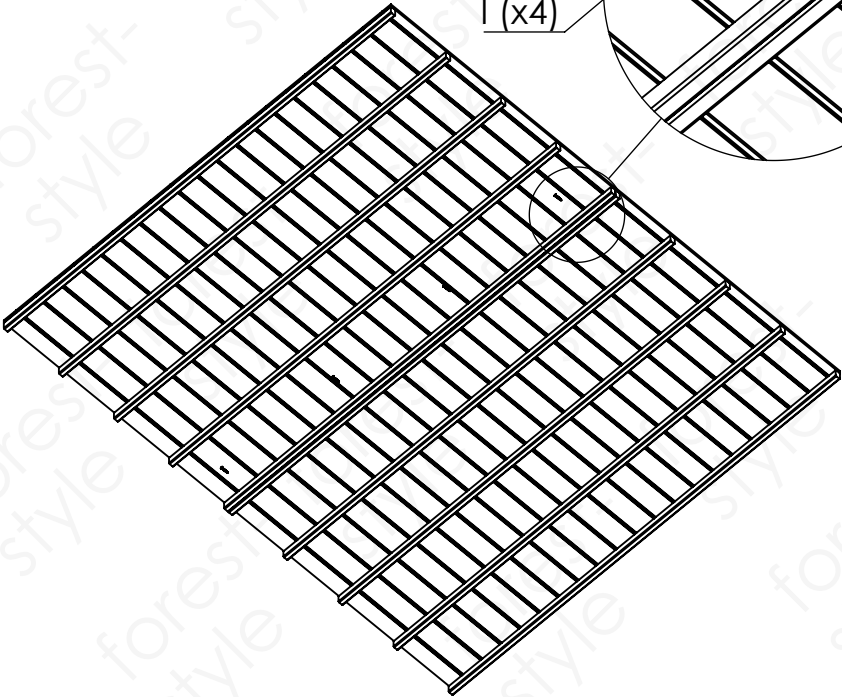


x2

1

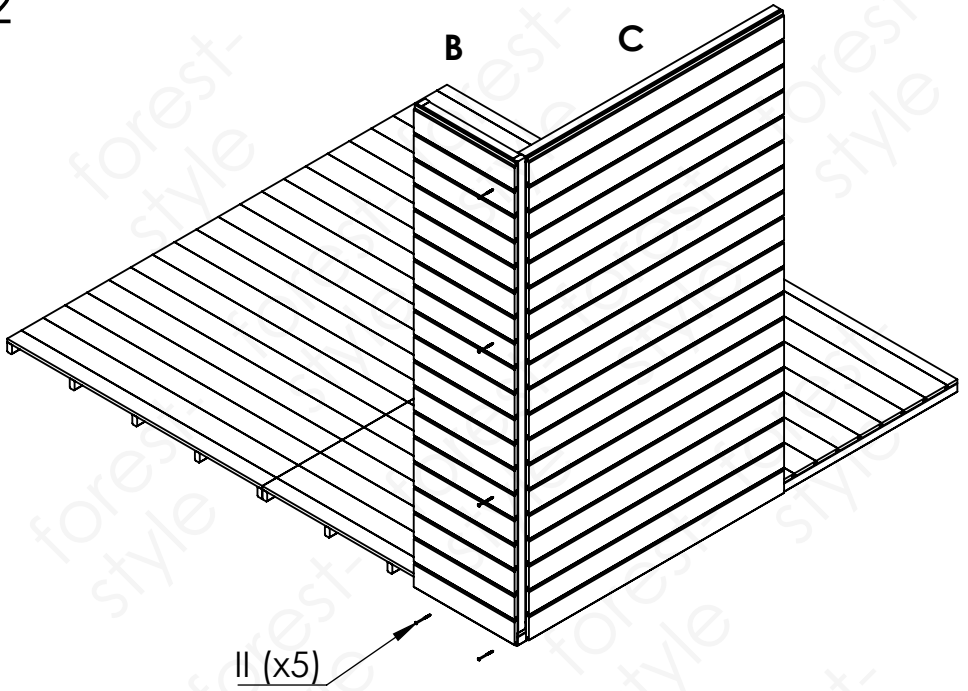


l (x4)

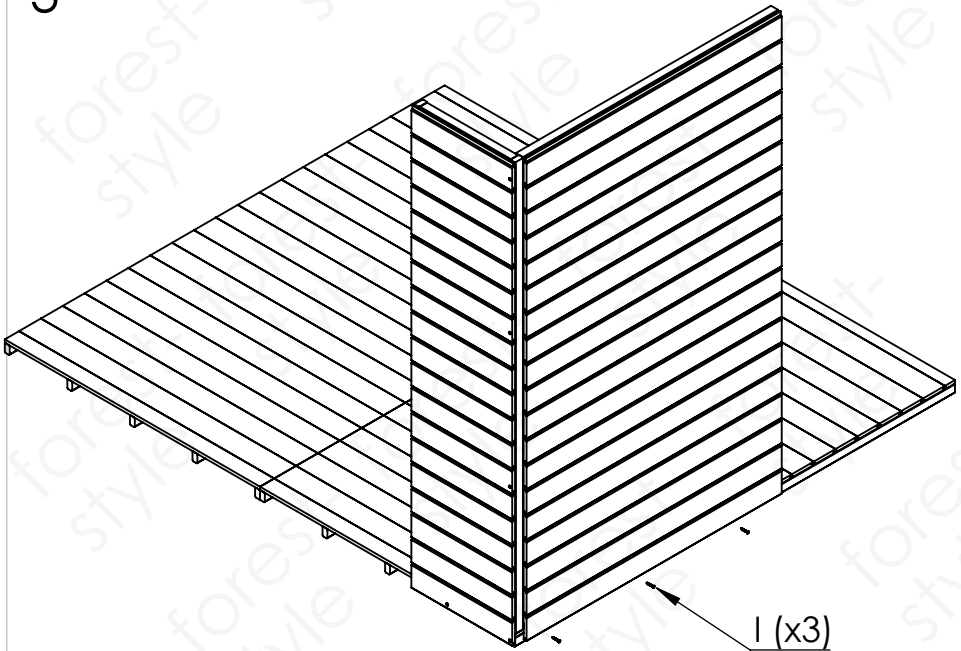




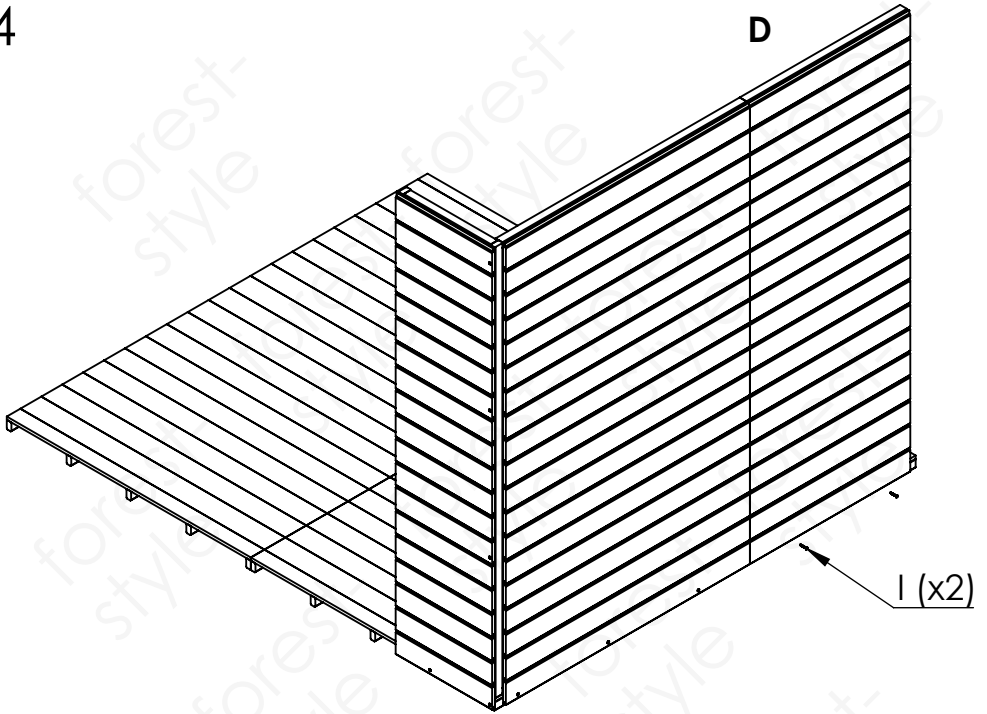
2



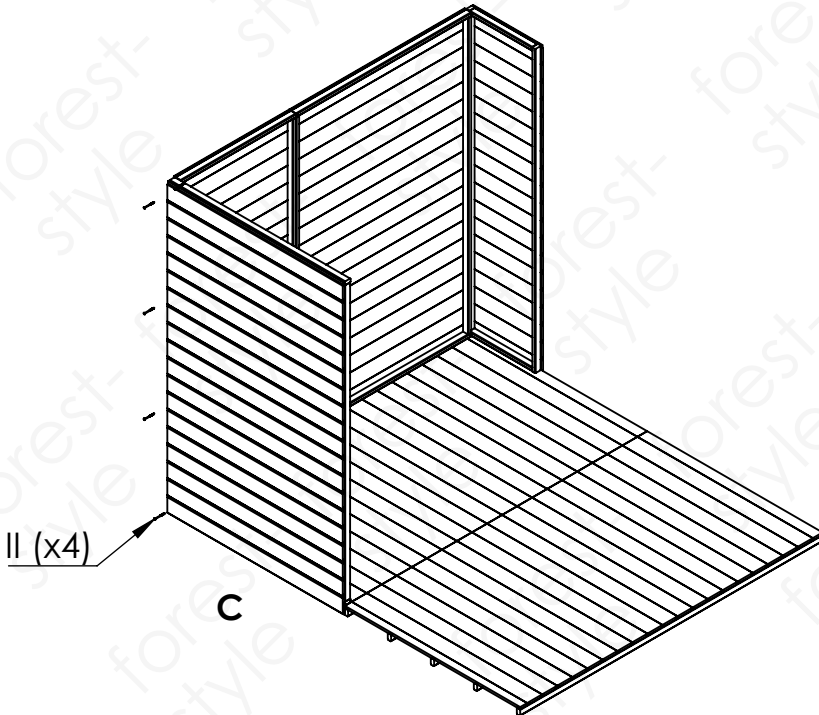
3



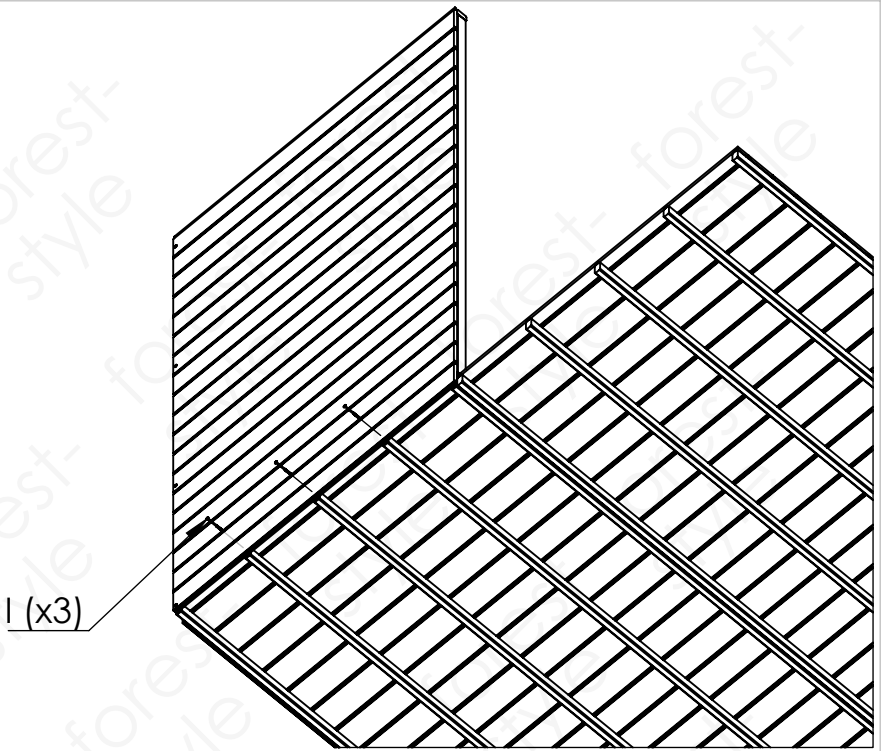
4



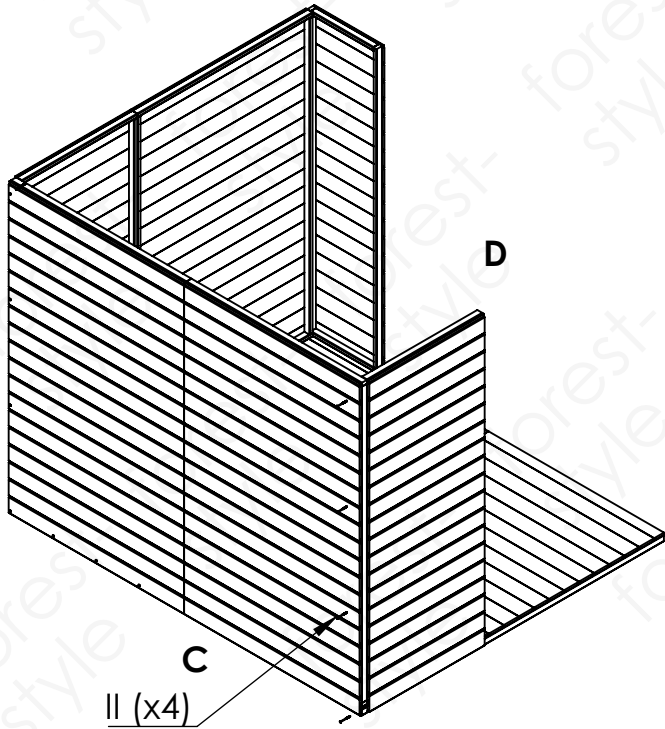
5



6

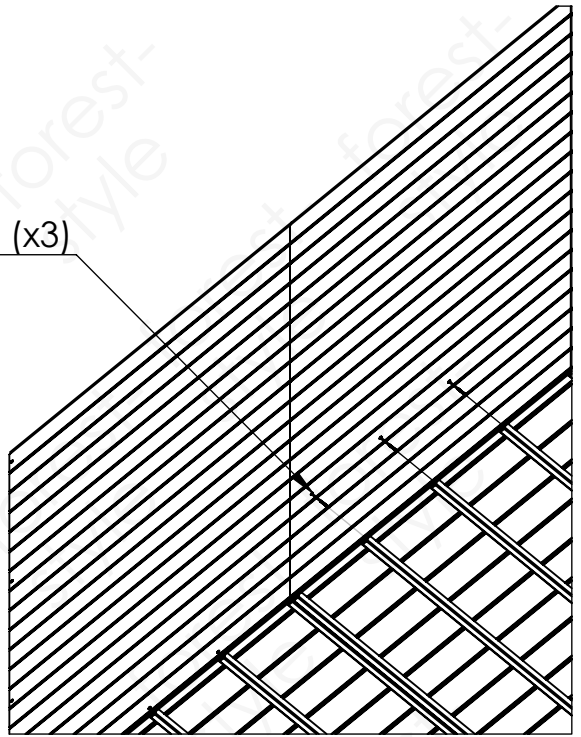


7



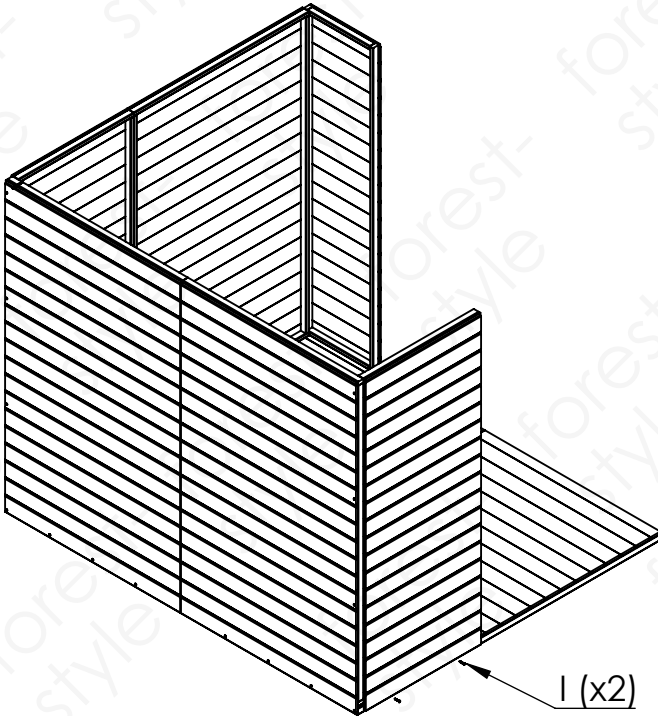
8

1 (x3)

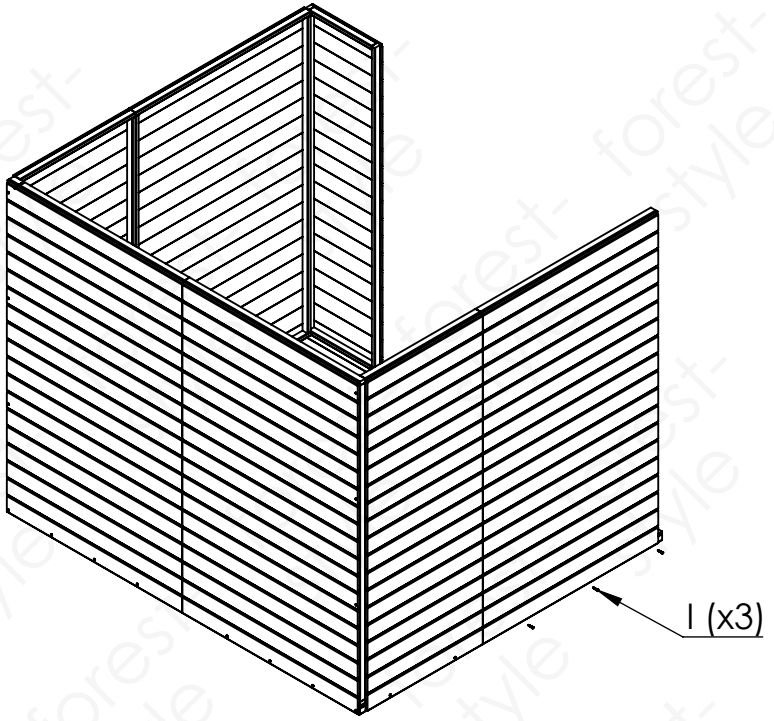


9

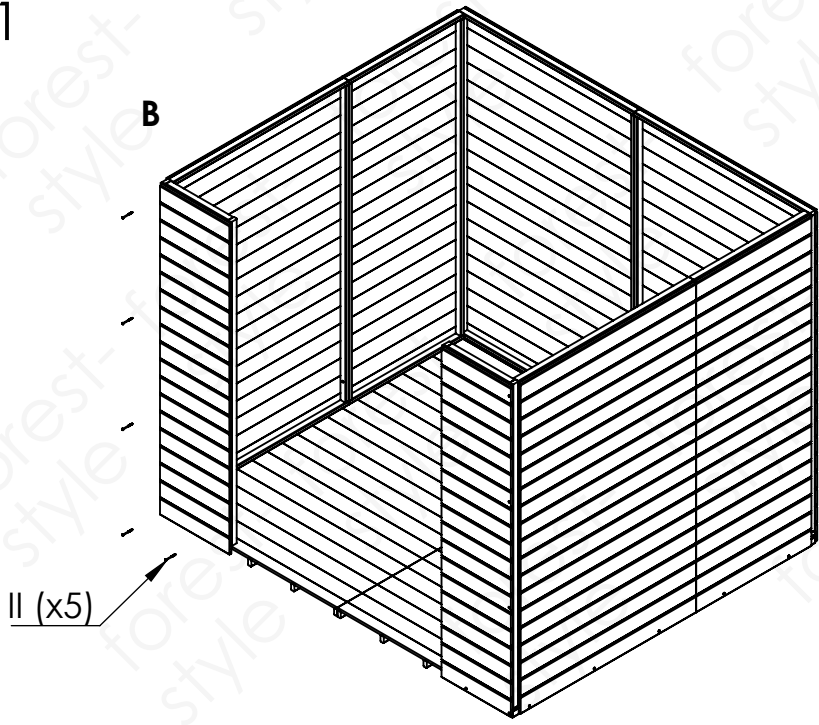
1 (x2)



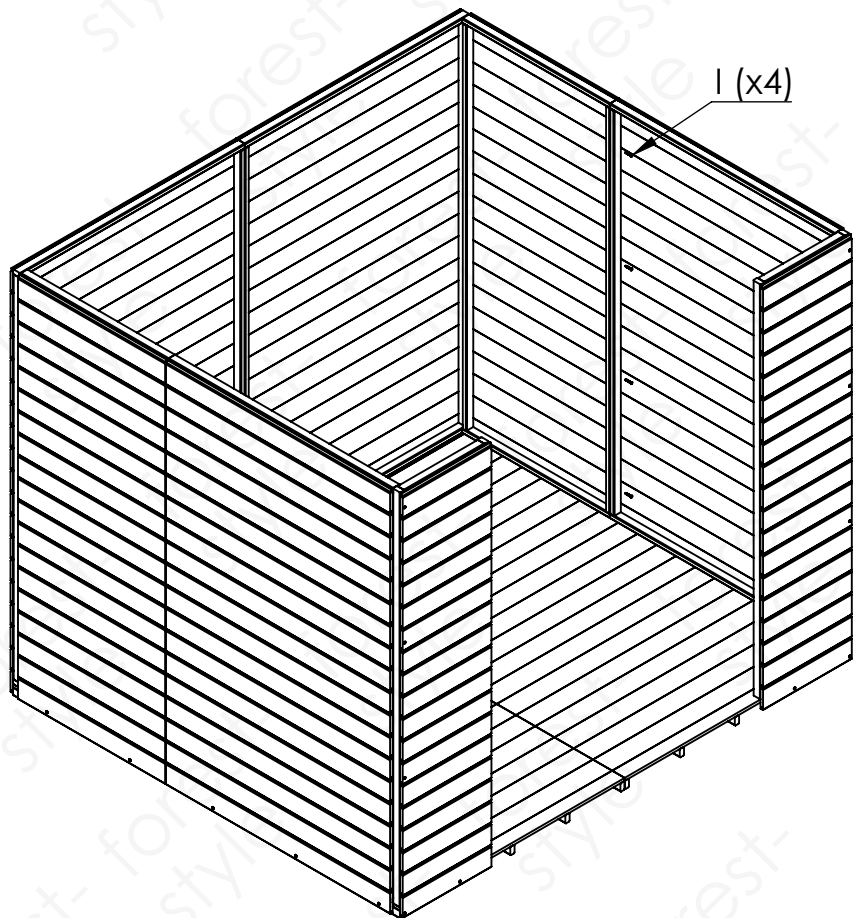
10



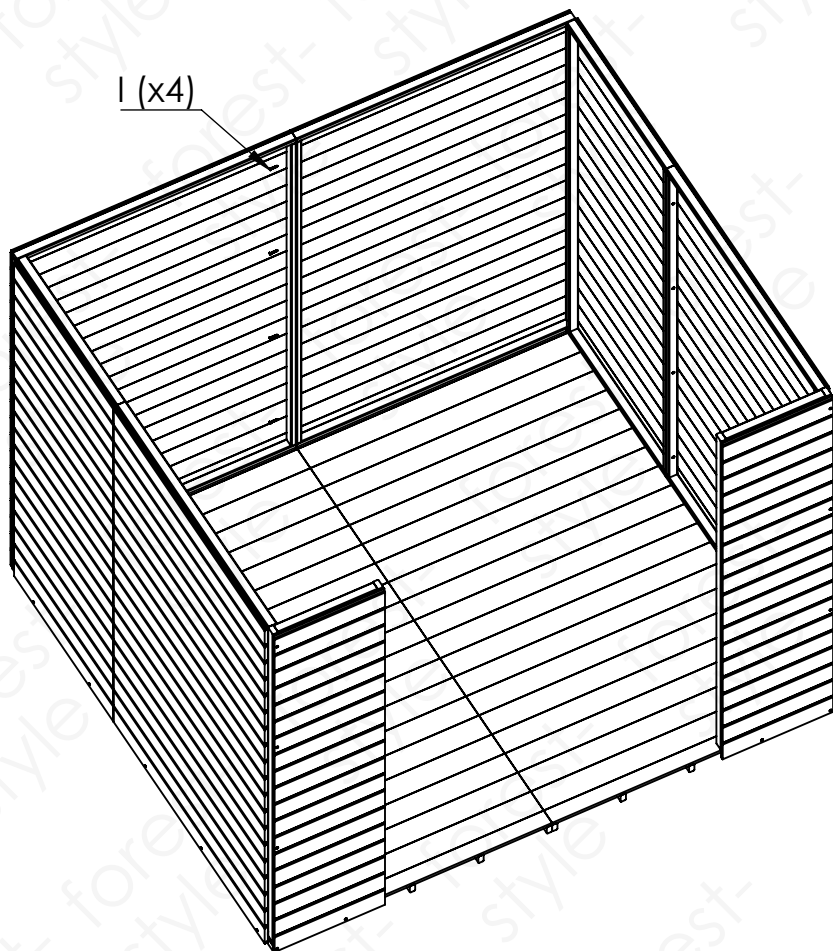
11



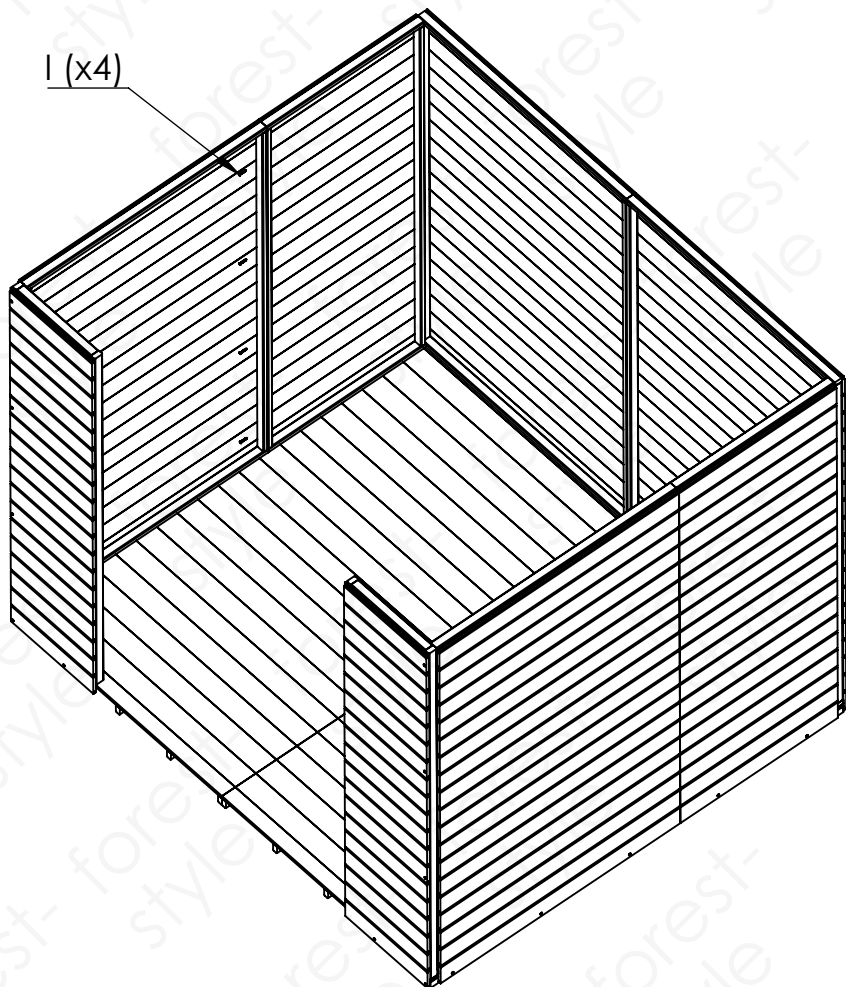
12



13

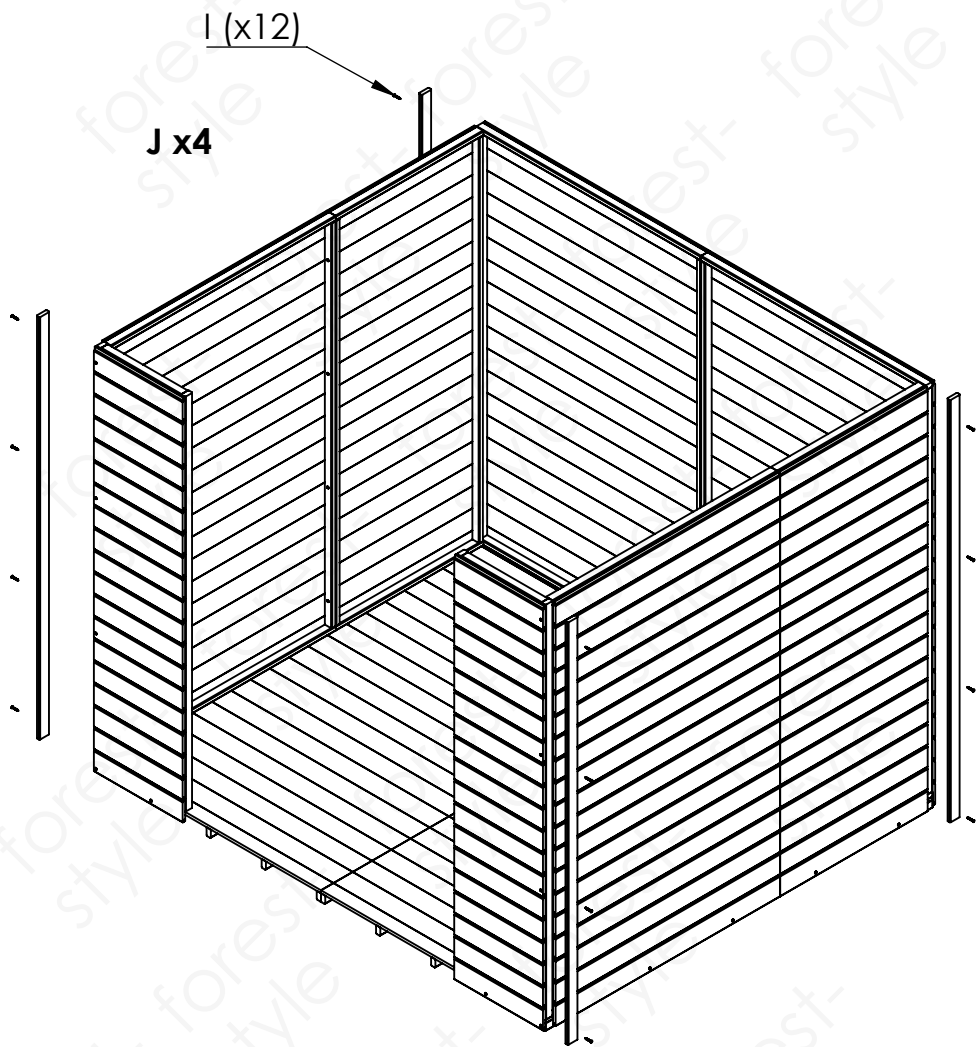


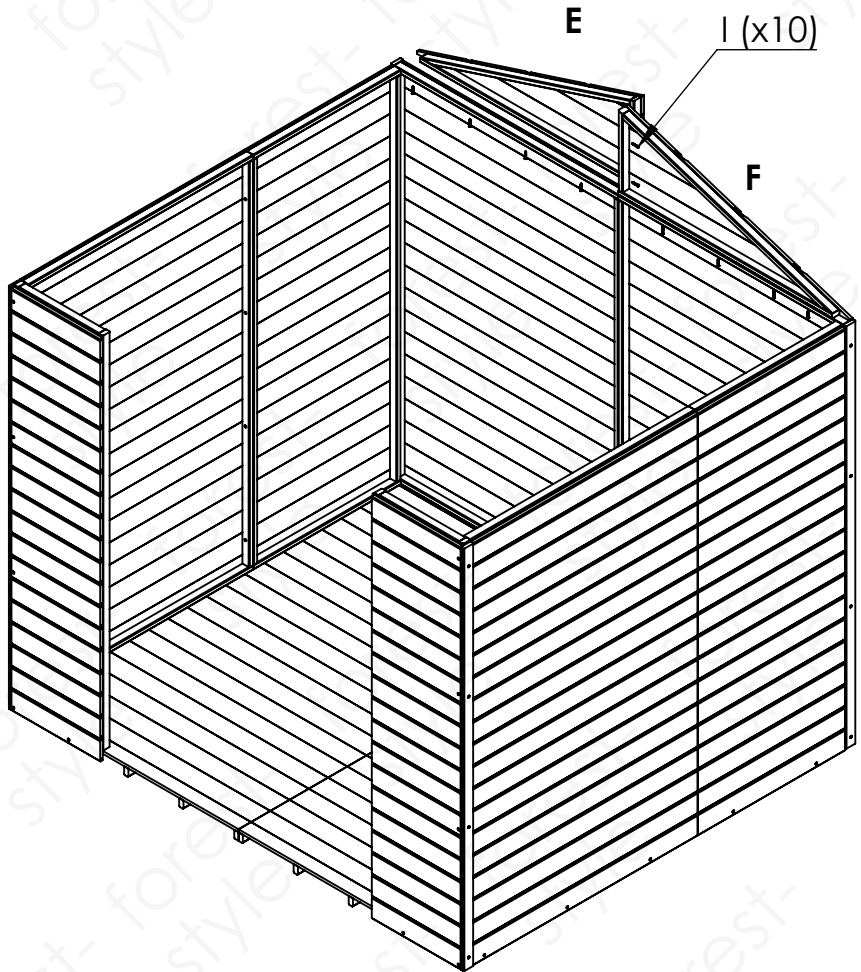
14

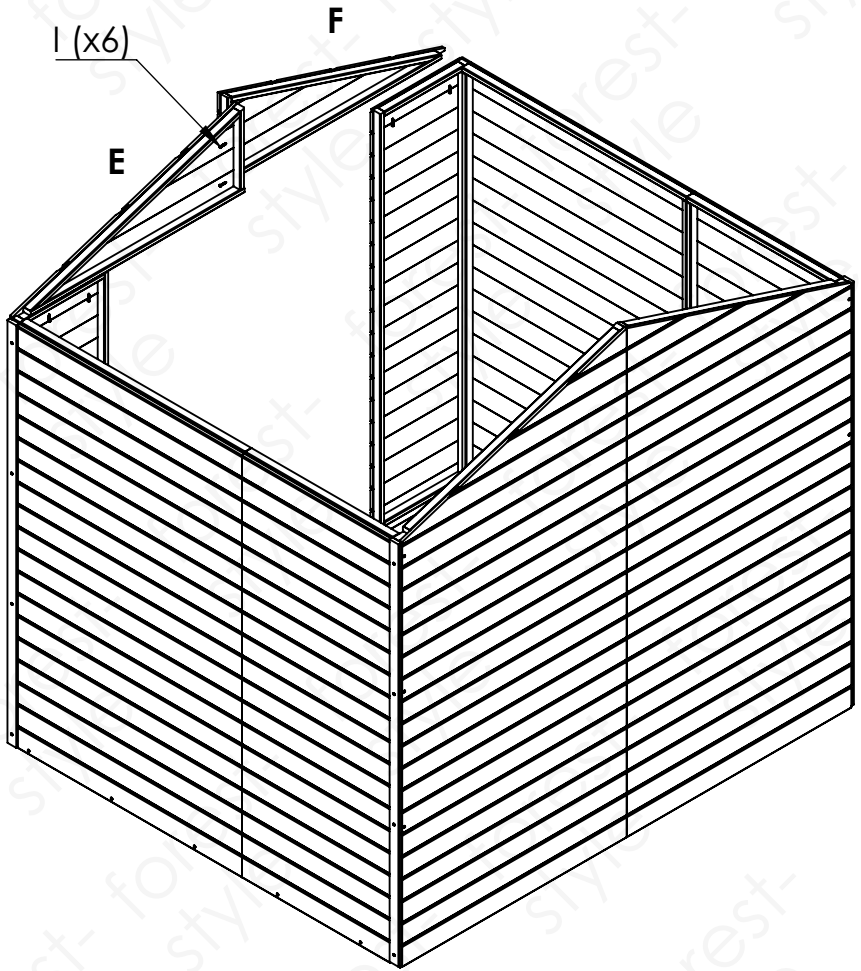




15





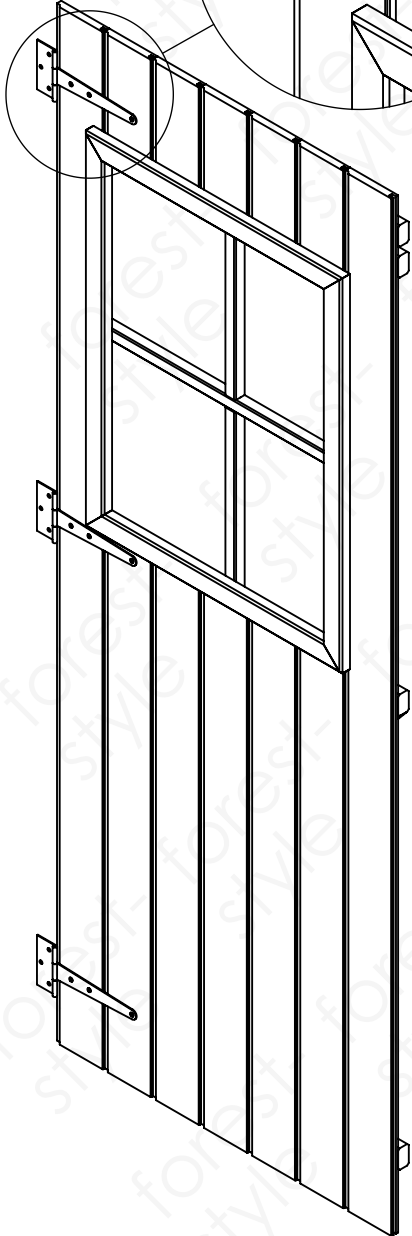


18

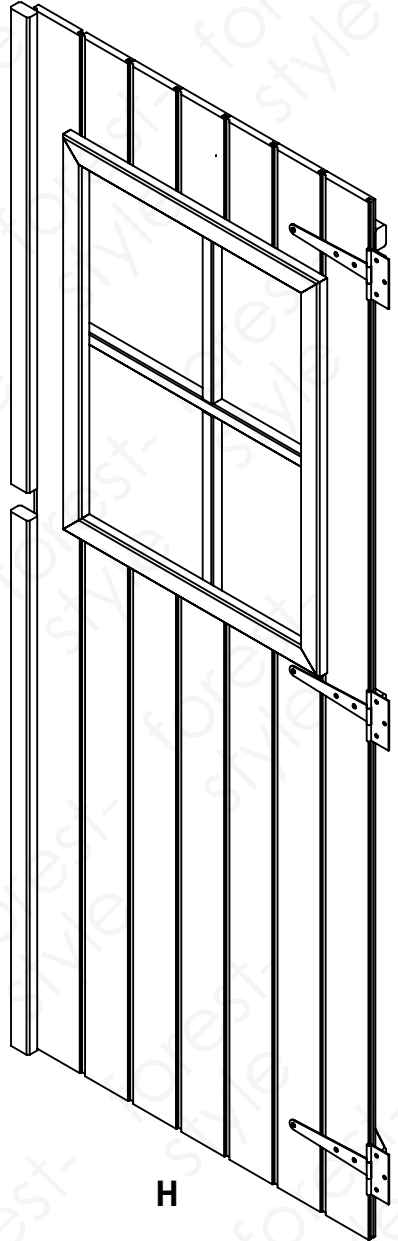
x6

III (x3)

VI



G

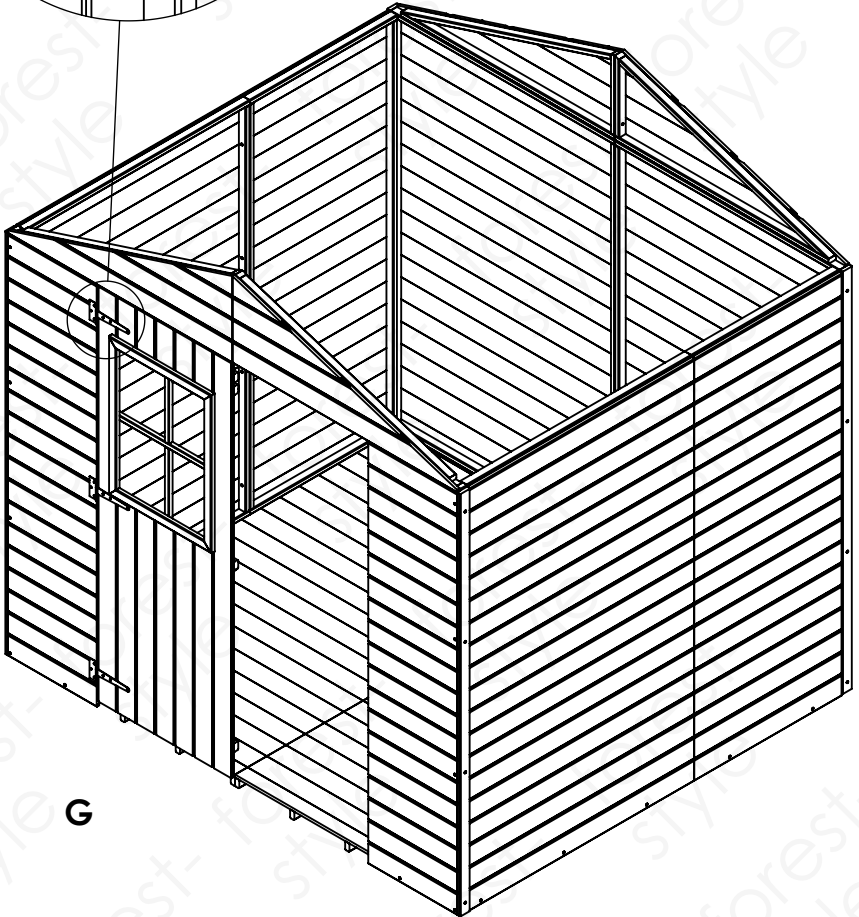
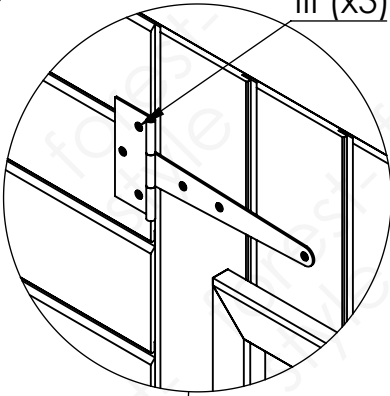


H

19

III (x3)

x3

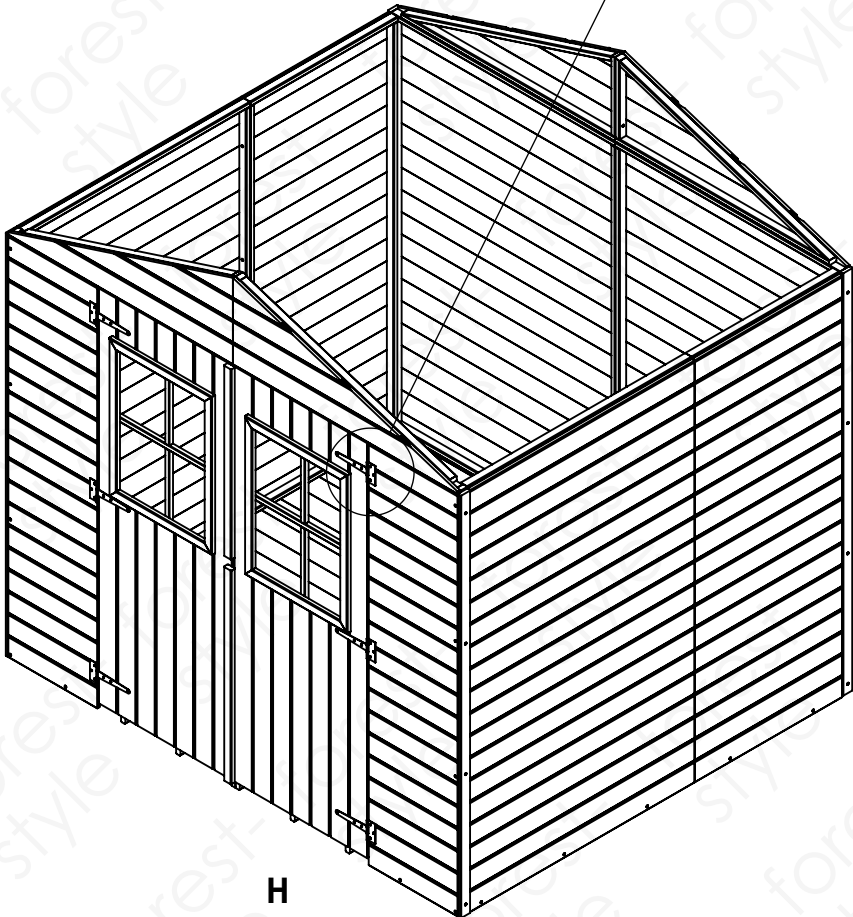


G

20

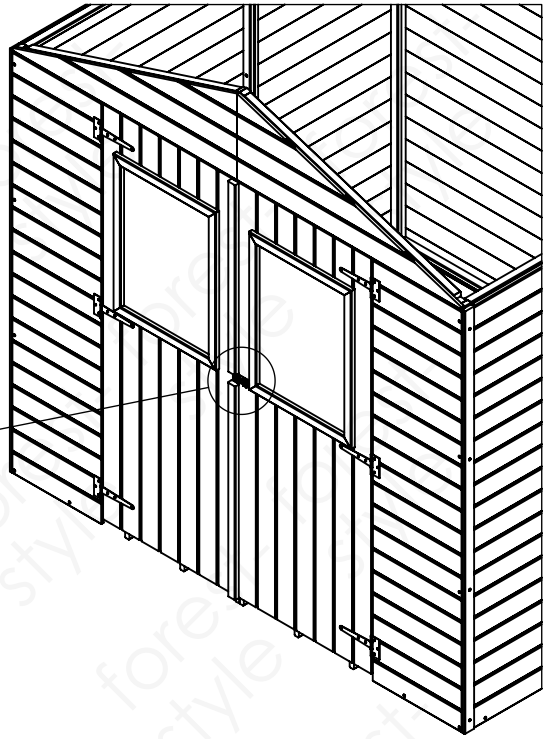
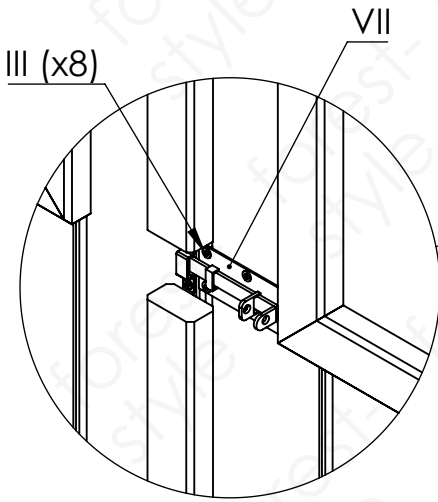
x3

III (x3)

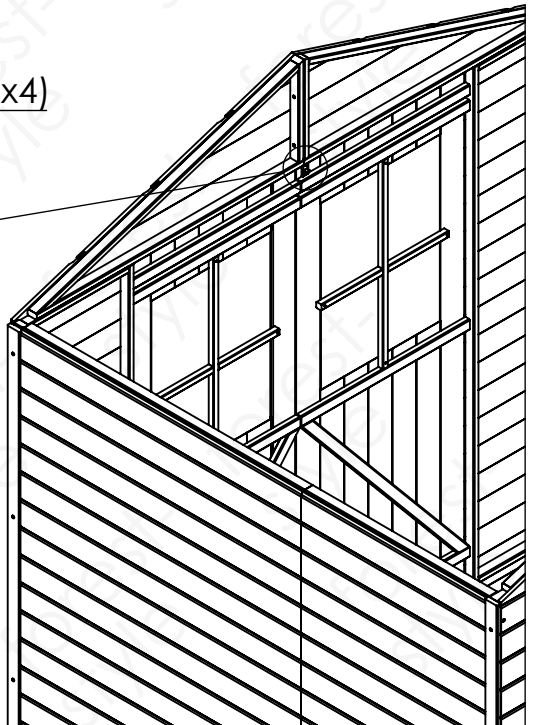
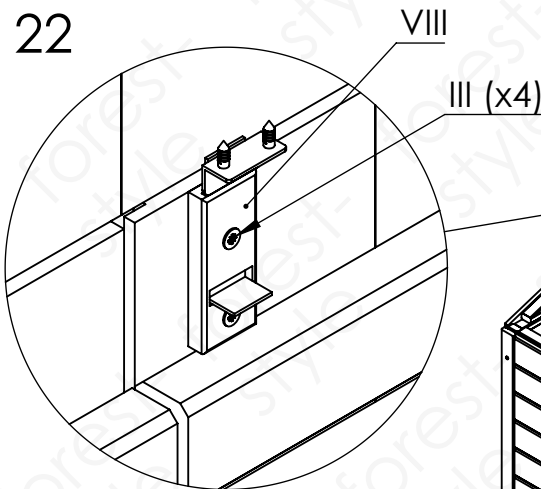


H

21



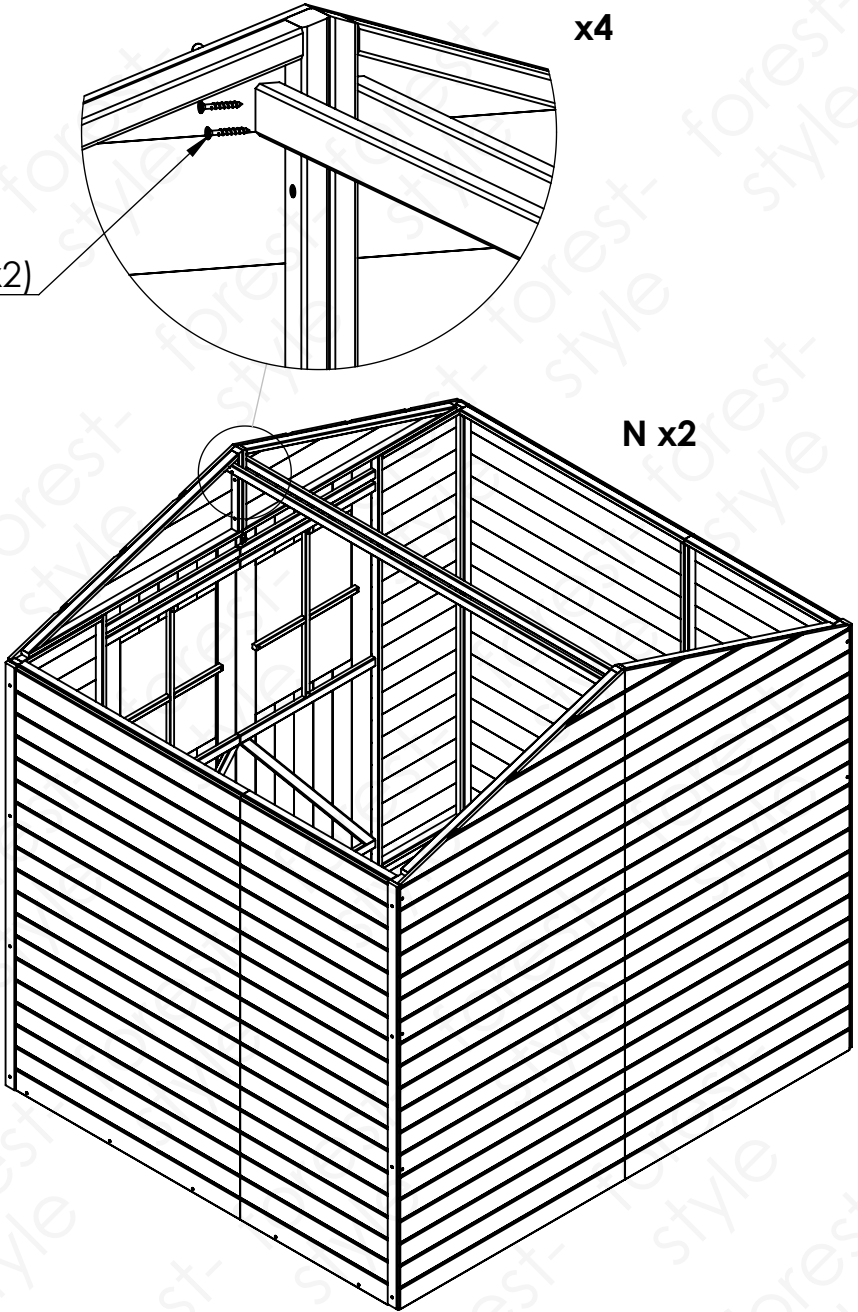
22



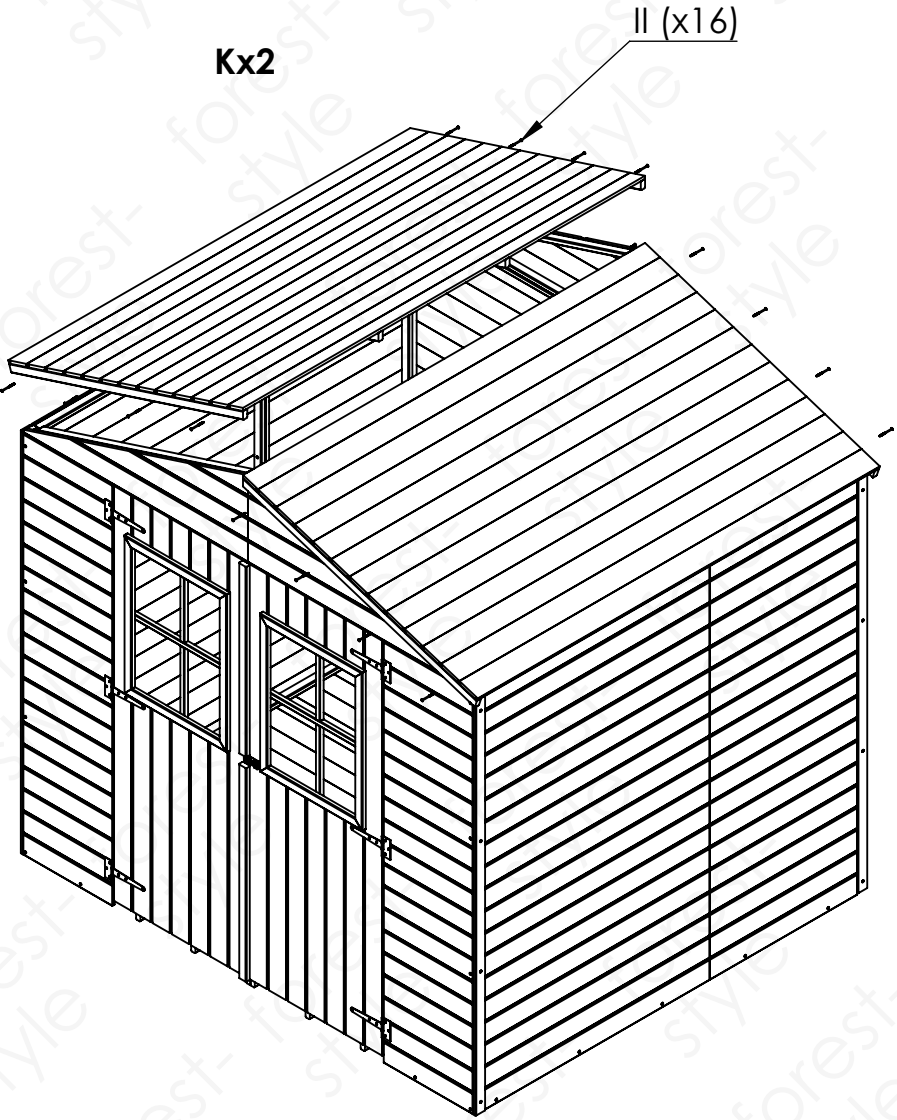
23

x4

I (x2)

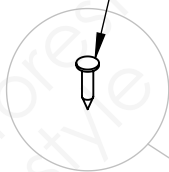
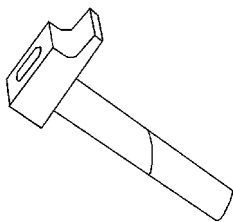






25

IV (x140)



V (x3)

