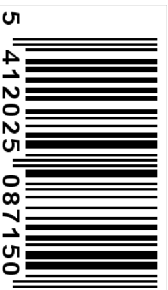


**S8715**



[www.solidnv.com](http://www.solidnv.com)

Solid nv  
Industriepark 8  
8587 Spiere-Helkijn

# S8715

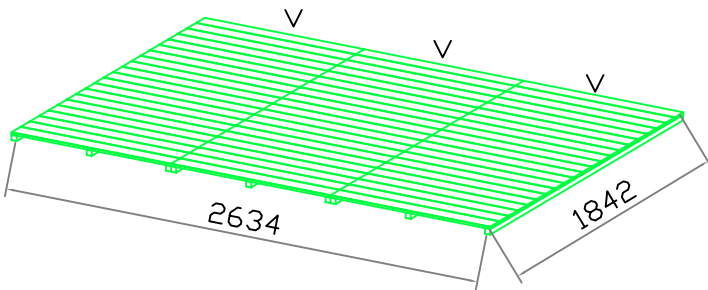
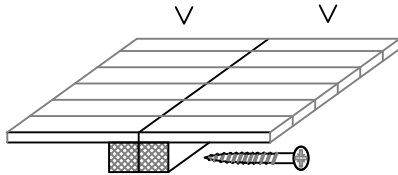


www.solidnv.com

Solid nv  
Industriepark 8  
8587 Spiere-Helkijn

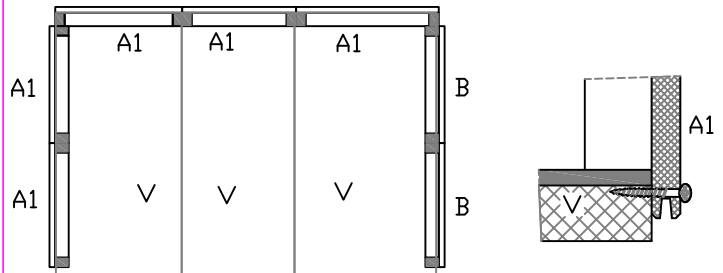
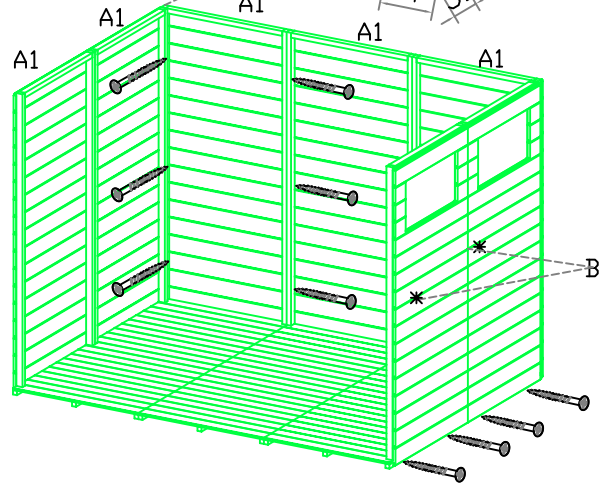
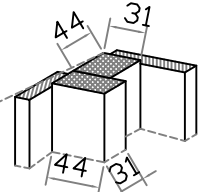
- V 16x878x1842 3
- 1 4x45 8

1



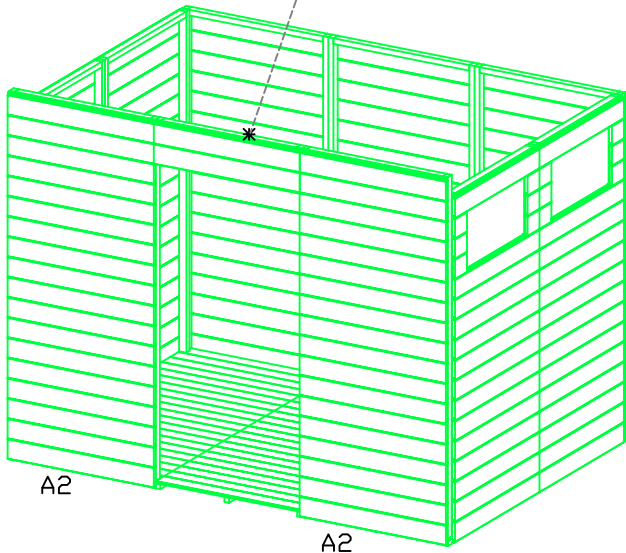
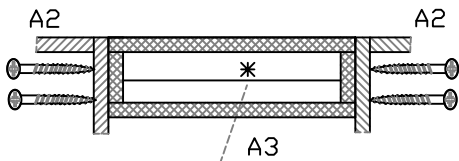
- A1 19x878x1888 5
- B 19x878x1888 2
- 1 4x45 32

2



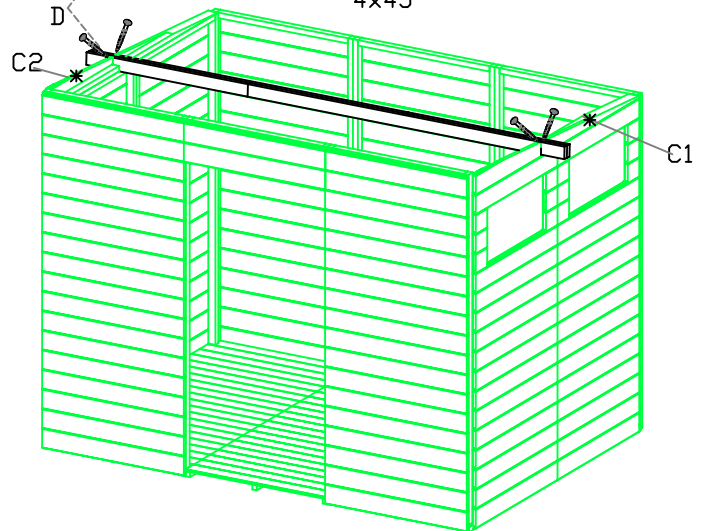
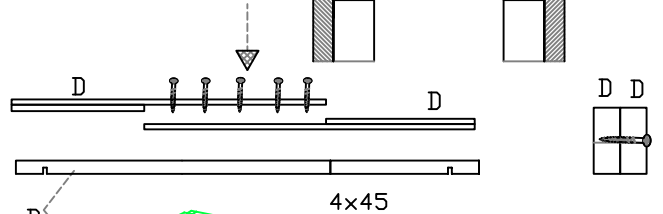
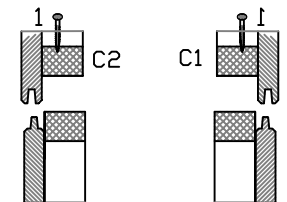
- A2 19x878x2000 2
- A3 19x878x240 1
- 1 4x45 14

3



- C1 19x1756x123 1
- C2 19x1756x123 1
- D 56x70x1986 2
- 1 4x45 20

4



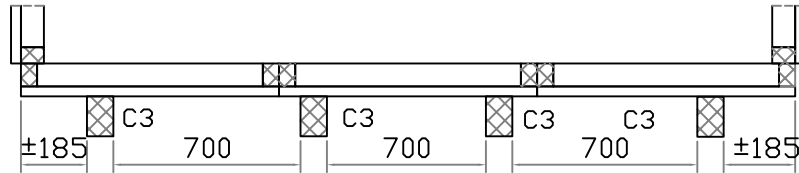
# S8715



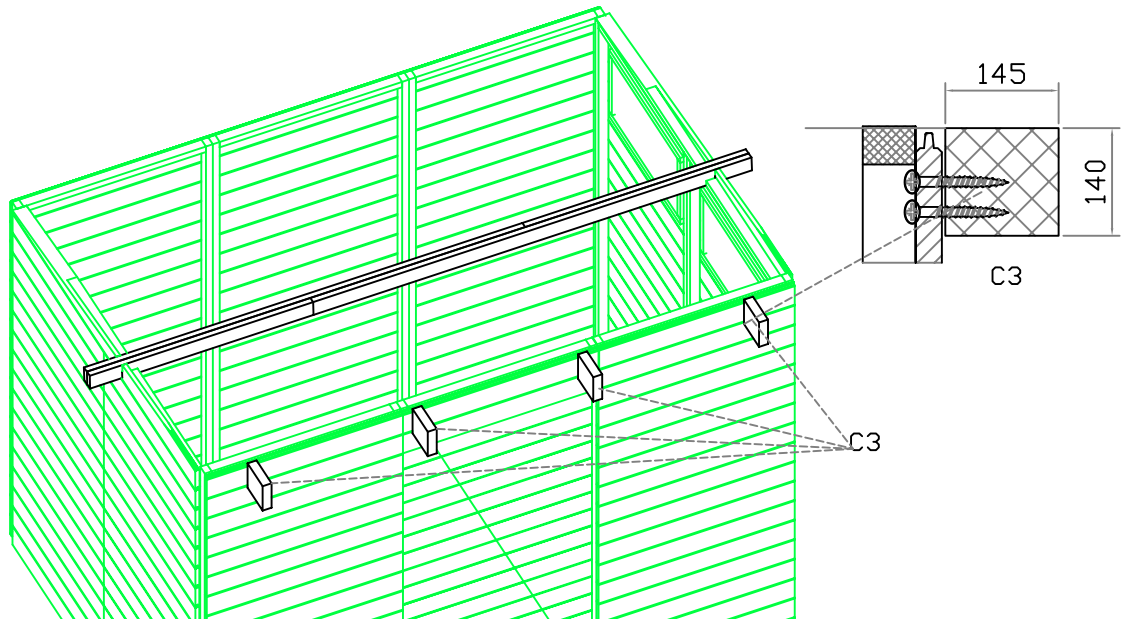
www.solidnv.com

Solid nv  
Industriepark 8  
8587 Spiere-Helkijn

C3 40x145x140 4  
5x60 8

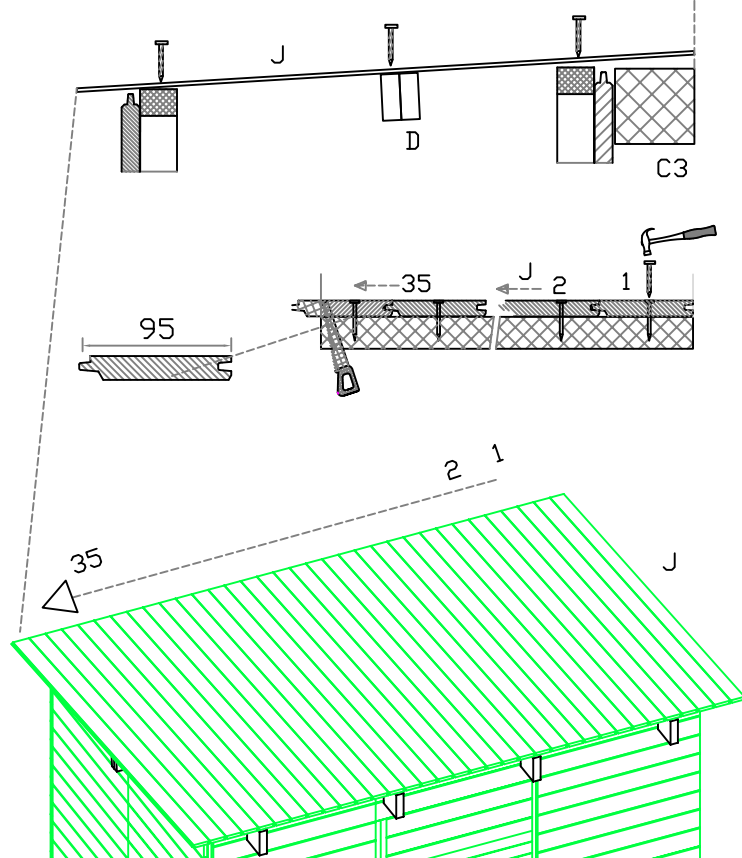


5



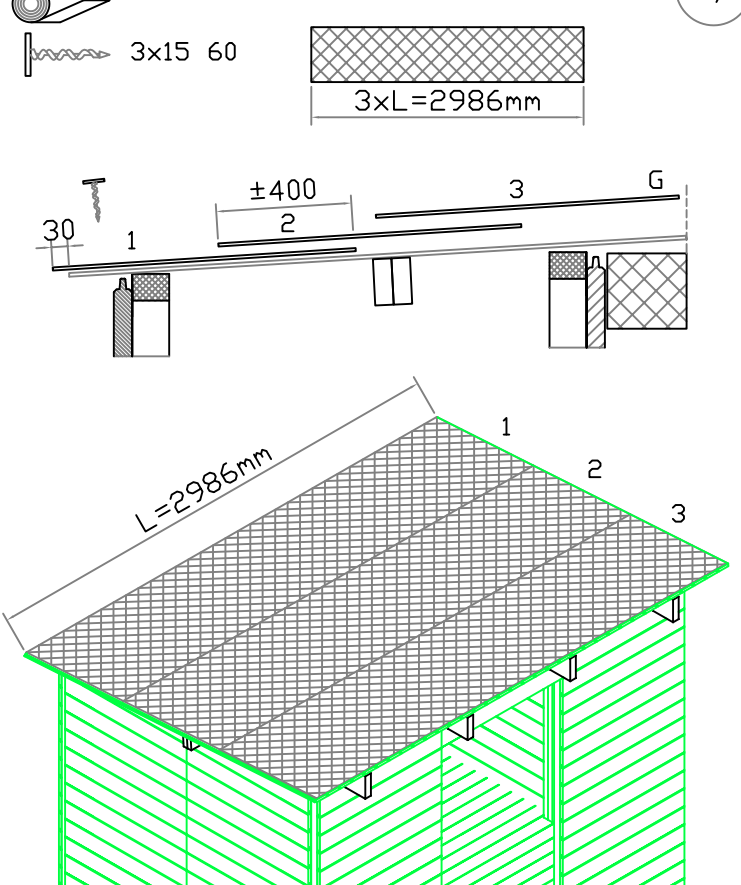
J 16x95x2100 35  
3.0x50 110

6



G 1x10.7m 1

7



# S8715

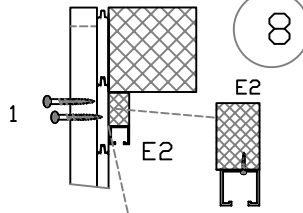


www.solidnv.com

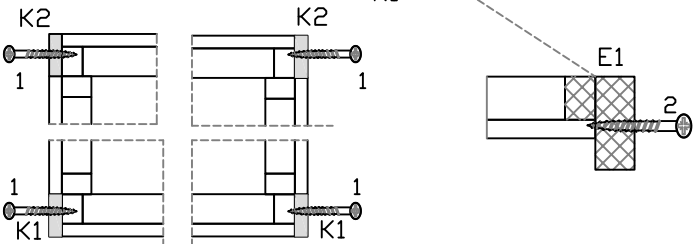
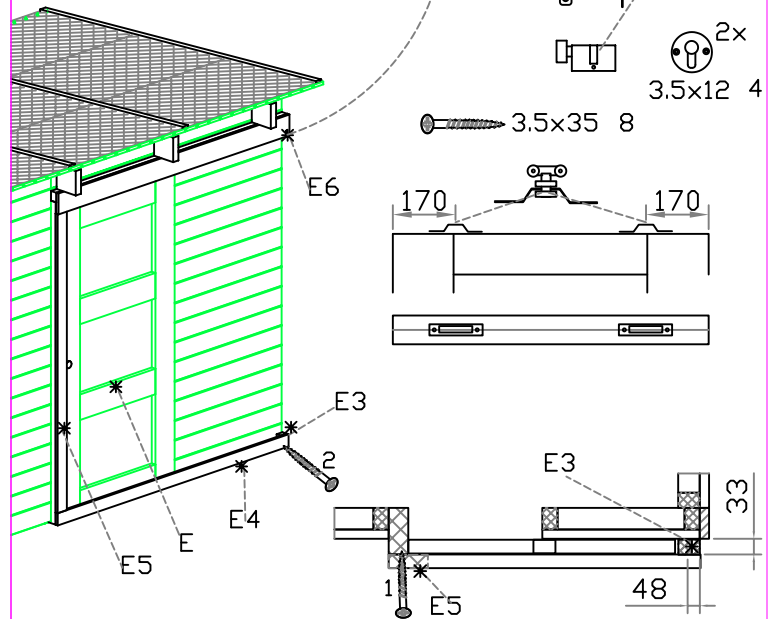
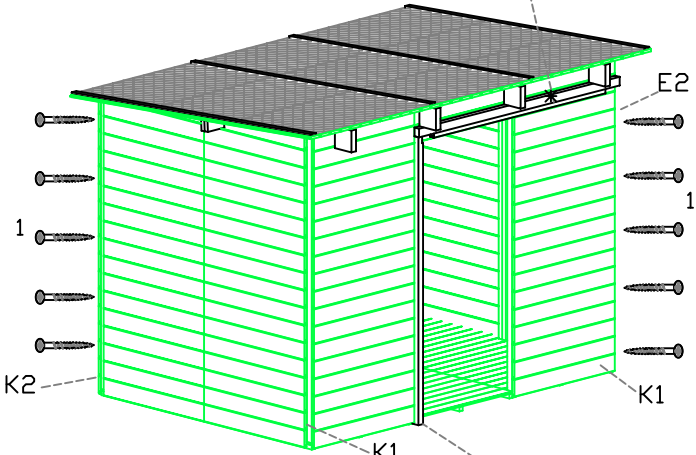
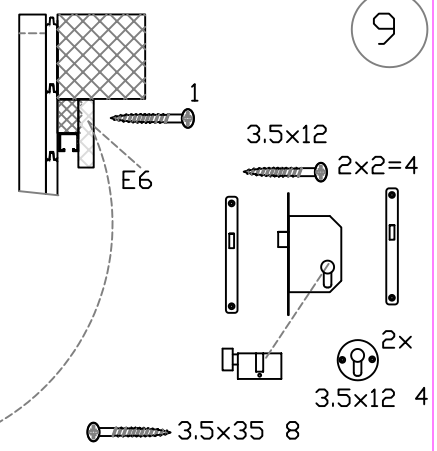
Solid nv  
Industriepark 8  
8587 Spiere-Helkijn

- E1 40x95x1804 1
- E2 33x48x1755 1
- K1 19x63x2020 2
- K2 19x63x1910 2

- 1 4x45 20
- 2 5x60 8

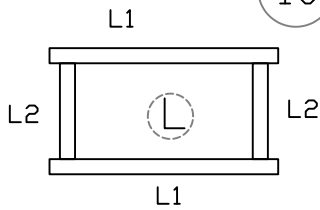


- E 28x865x1790 1
  - E3 48x33x70 1
  - E4 16x70x1755 1
  - E5 16x70x1690 1
  - E6 16x120x1755 1
- 1 4x45 10
  - 2 5x60 2
  - 3.5x35 8
  - 3.5x12 8

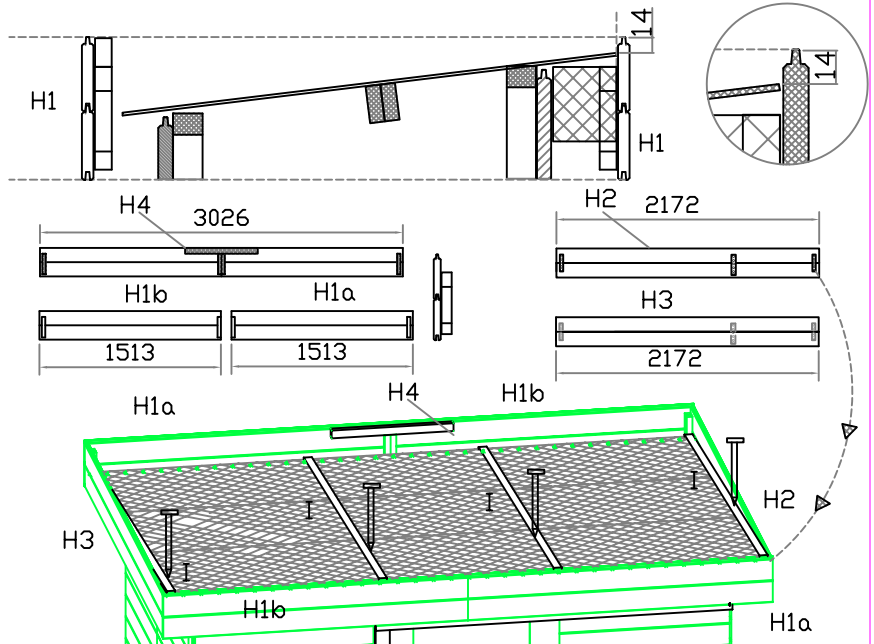
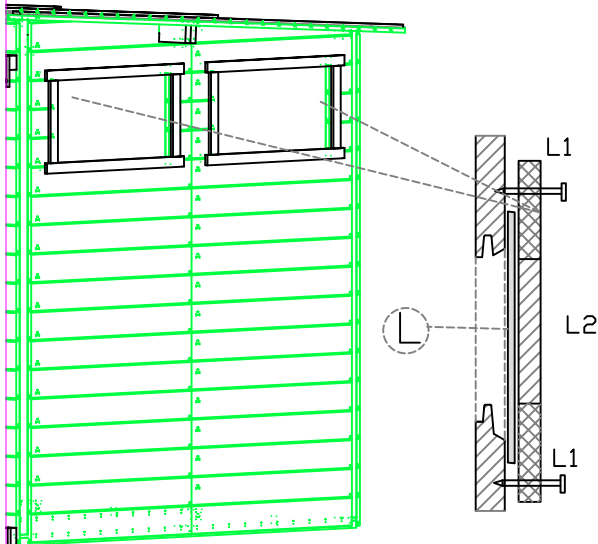
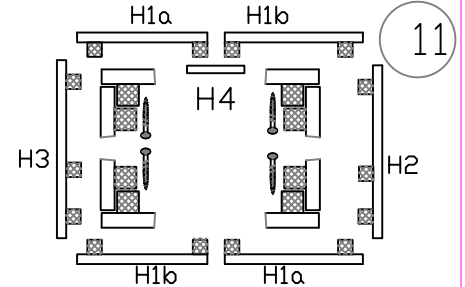


- L 1x360x660 2
- L1 12x40x750 4
- L2 12x40x320 4

- 1.8x30 24



- H1a 19x236x1513 2
- H1b 19x236x1513 2
- H2 19x236x2172 1
- H3 19x236x2172 1
- H4 28x48x600 1
- I 12x40x2100 4
- 1.8x30 32
- 1 4x45 24

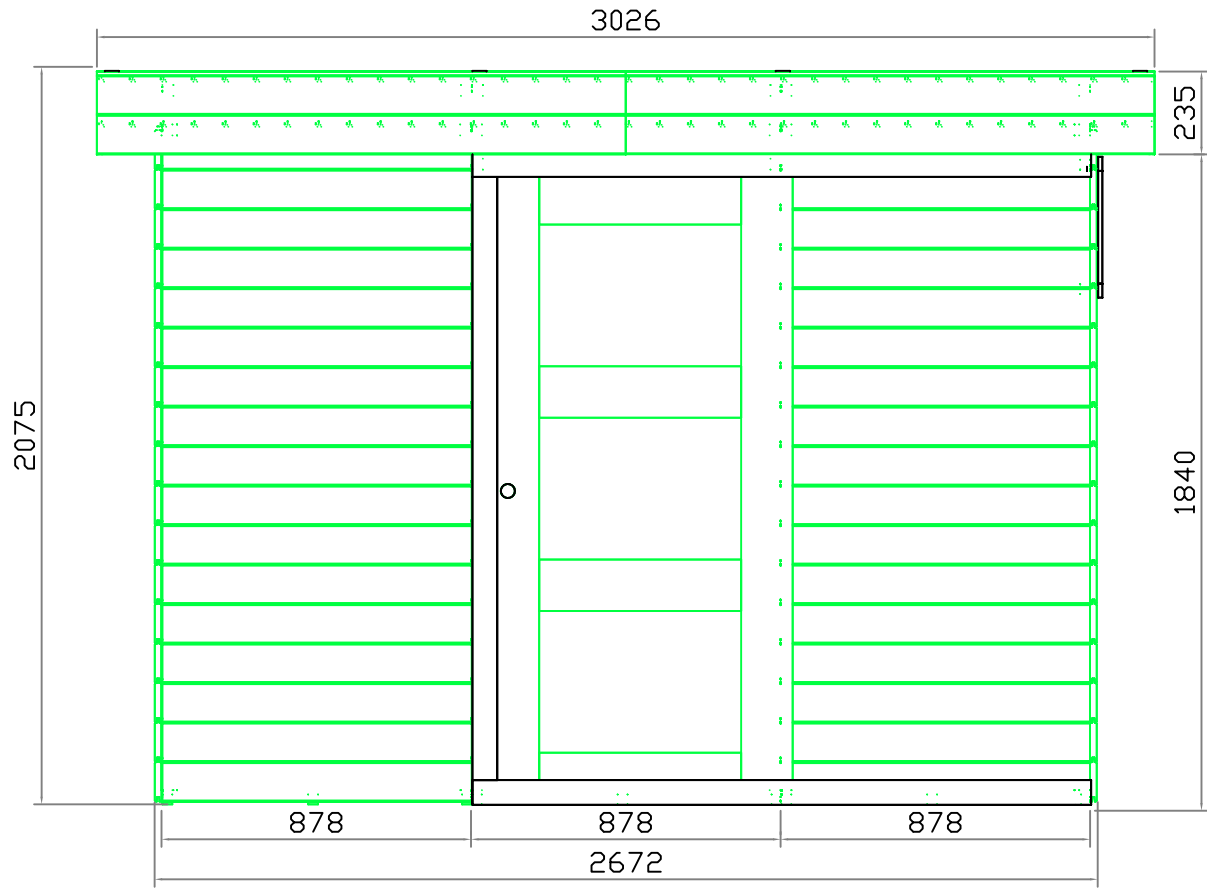


# S8715

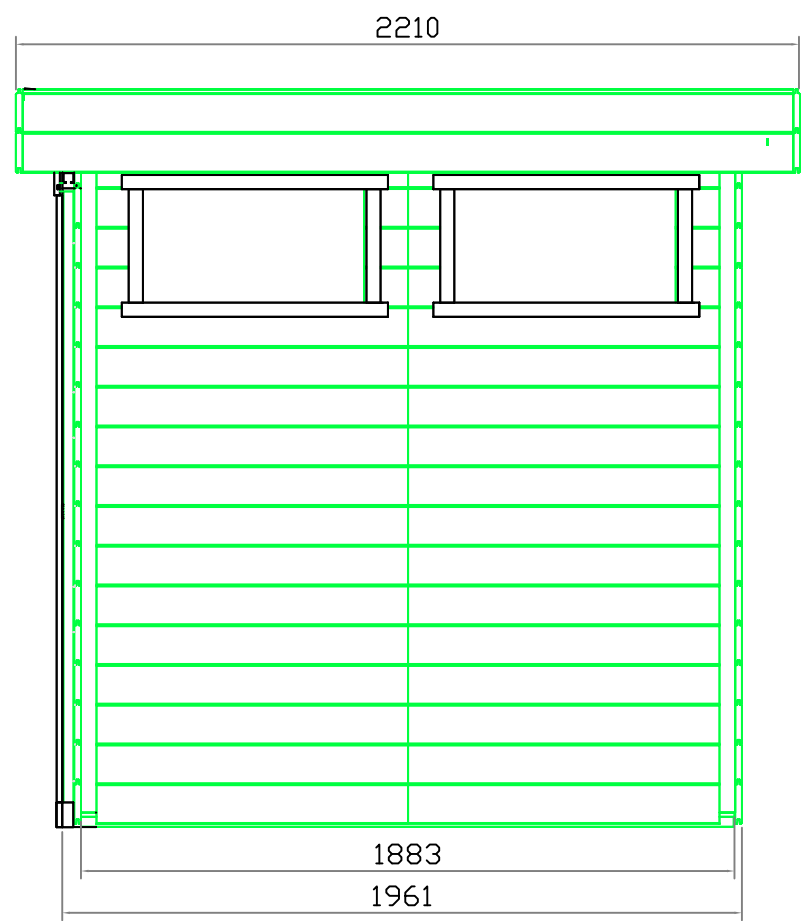


**SOLID**  
www.solidnv.com  
Solid nv  
Industriepark 8  
8587 Spiere-Helkijn

12



13



# SAV / SAV / SSS / SAV / SAV / SAV

	<table border="1"> <tr><td>V</td><td>016X878-</td><td>1842</td><td>3</td></tr> <tr><td>A1</td><td>019X878-</td><td>1888</td><td>5</td></tr> <tr><td>A2</td><td>019X878-</td><td>2000</td><td>2</td></tr> <tr><td>A3</td><td>019X878-</td><td>240</td><td>1</td></tr> <tr><td>B</td><td>019X878-</td><td>1888</td><td>2</td></tr> <tr><td>C1</td><td>019X123-</td><td>1756</td><td>1</td></tr> <tr><td>C2</td><td>019X123-</td><td>1756</td><td>1</td></tr> <tr><td>C3</td><td>WW040X145-4FA-000-O-</td><td>140</td><td>4</td></tr> <tr><td>D</td><td>056X70-</td><td>1986</td><td>2</td></tr> <tr><td>E</td><td>S8038</td><td>1790</td><td>1</td></tr> <tr><td>E1</td><td>WW040X095-4FA-IF1-0-</td><td>1804</td><td>1</td></tr> <tr><td>E2</td><td>- 1 WW033X048-4FA-000-0-</td><td>1755</td><td>1</td></tr> <tr><td></td><td>- 2 S8715 E2</td><td>1500</td><td>1</td></tr> <tr><td>E3</td><td>WW048X033-4FA-000-0-</td><td>70</td><td>1</td></tr> <tr><td>E4</td><td>WW016X070-4FA-000-0-</td><td>1755</td><td>1</td></tr> <tr><td>E5</td><td>WW016X070-4FA-000-0-</td><td>1690</td><td>1</td></tr> <tr><td>E6</td><td>WW016X120-4FA-000-0-</td><td>1755</td><td>1</td></tr> <tr><td>G</td><td>Roofing 10.7m</td><td>rol</td><td>1</td></tr> <tr><td>H1a</td><td>019X236-</td><td>1513</td><td>2</td></tr> <tr><td>H1b</td><td>019X236-</td><td>1513</td><td>2</td></tr> <tr><td>H2</td><td>019X236-</td><td>2172</td><td>1</td></tr> <tr><td>H3</td><td>019X236-</td><td>2172</td><td>1</td></tr> <tr><td>H4</td><td>WW028X048-4FA-000-0-</td><td>600</td><td>1</td></tr> <tr><td>I</td><td>WW012X040-4FA-000-0-</td><td>2100</td><td>4</td></tr> <tr><td>J</td><td>WW016X095-PLA-000-0-</td><td>2100</td><td>35</td></tr> <tr><td>K1</td><td>WW019X063-4FA-000-O-</td><td>2020</td><td>2</td></tr> <tr><td>K2</td><td>WW019X063-4FA-000-O-</td><td>1920</td><td>2</td></tr> <tr><td>L</td><td>(plexi 1.2x360x660)</td><td></td><td>2</td></tr> <tr><td>L1</td><td>WW012X040-4FA-000-0-</td><td>750</td><td>4</td></tr> <tr><td>L2</td><td>WW012X040-4FA-000-0-</td><td>320</td><td>4</td></tr> </table>	V	016X878-	1842	3	A1	019X878-	1888	5	A2	019X878-	2000	2	A3	019X878-	240	1	B	019X878-	1888	2	C1	019X123-	1756	1	C2	019X123-	1756	1	C3	WW040X145-4FA-000-O-	140	4	D	056X70-	1986	2	E	S8038	1790	1	E1	WW040X095-4FA-IF1-0-	1804	1	E2	- 1 WW033X048-4FA-000-0-	1755	1		- 2 S8715 E2	1500	1	E3	WW048X033-4FA-000-0-	70	1	E4	WW016X070-4FA-000-0-	1755	1	E5	WW016X070-4FA-000-0-	1690	1	E6	WW016X120-4FA-000-0-	1755	1	G	Roofing 10.7m	rol	1	H1a	019X236-	1513	2	H1b	019X236-	1513	2	H2	019X236-	2172	1	H3	019X236-	2172	1	H4	WW028X048-4FA-000-0-	600	1	I	WW012X040-4FA-000-0-	2100	4	J	WW016X095-PLA-000-0-	2100	35	K1	WW019X063-4FA-000-O-	2020	2	K2	WW019X063-4FA-000-O-	1920	2	L	(plexi 1.2x360x660)		2	L1	WW012X040-4FA-000-0-	750	4	L2	WW012X040-4FA-000-0-	320	4	<table border="1"> <tr><td>3.5x12</td><td>8</td></tr> <tr><td>3.5x35</td><td>8</td></tr> <tr><td>4.0x45</td><td>110</td></tr> <tr><td>5.0x60</td><td>12</td></tr> <tr><td>3.0x50</td><td>110</td></tr> <tr><td>1.8x30</td><td>56</td></tr> <tr><td>3.0x15</td><td>60</td></tr> <tr><td>1+2+3+(2xnr4)</td><td>1x</td></tr> <tr><td>Set</td><td>1x</td></tr> </table>	3.5x12	8	3.5x35	8	4.0x45	110	5.0x60	12	3.0x50	110	1.8x30	56	3.0x15	60	1+2+3+(2xnr4)	1x	Set	1x
V	016X878-	1842	3																																																																																																																																									
A1	019X878-	1888	5																																																																																																																																									
A2	019X878-	2000	2																																																																																																																																									
A3	019X878-	240	1																																																																																																																																									
B	019X878-	1888	2																																																																																																																																									
C1	019X123-	1756	1																																																																																																																																									
C2	019X123-	1756	1																																																																																																																																									
C3	WW040X145-4FA-000-O-	140	4																																																																																																																																									
D	056X70-	1986	2																																																																																																																																									
E	S8038	1790	1																																																																																																																																									
E1	WW040X095-4FA-IF1-0-	1804	1																																																																																																																																									
E2	- 1 WW033X048-4FA-000-0-	1755	1																																																																																																																																									
	- 2 S8715 E2	1500	1																																																																																																																																									
E3	WW048X033-4FA-000-0-	70	1																																																																																																																																									
E4	WW016X070-4FA-000-0-	1755	1																																																																																																																																									
E5	WW016X070-4FA-000-0-	1690	1																																																																																																																																									
E6	WW016X120-4FA-000-0-	1755	1																																																																																																																																									
G	Roofing 10.7m	rol	1																																																																																																																																									
H1a	019X236-	1513	2																																																																																																																																									
H1b	019X236-	1513	2																																																																																																																																									
H2	019X236-	2172	1																																																																																																																																									
H3	019X236-	2172	1																																																																																																																																									
H4	WW028X048-4FA-000-0-	600	1																																																																																																																																									
I	WW012X040-4FA-000-0-	2100	4																																																																																																																																									
J	WW016X095-PLA-000-0-	2100	35																																																																																																																																									
K1	WW019X063-4FA-000-O-	2020	2																																																																																																																																									
K2	WW019X063-4FA-000-O-	1920	2																																																																																																																																									
L	(plexi 1.2x360x660)		2																																																																																																																																									
L1	WW012X040-4FA-000-0-	750	4																																																																																																																																									
L2	WW012X040-4FA-000-0-	320	4																																																																																																																																									
3.5x12	8																																																																																																																																											
3.5x35	8																																																																																																																																											
4.0x45	110																																																																																																																																											
5.0x60	12																																																																																																																																											
3.0x50	110																																																																																																																																											
1.8x30	56																																																																																																																																											
3.0x15	60																																																																																																																																											
1+2+3+(2xnr4)	1x																																																																																																																																											
Set	1x																																																																																																																																											
<p>1x <b>S8715-zmt</b> </p>																																																																																																																																												

## S8715



## PO.....

Winkel / Magasin / Store

Klant / Client / Client