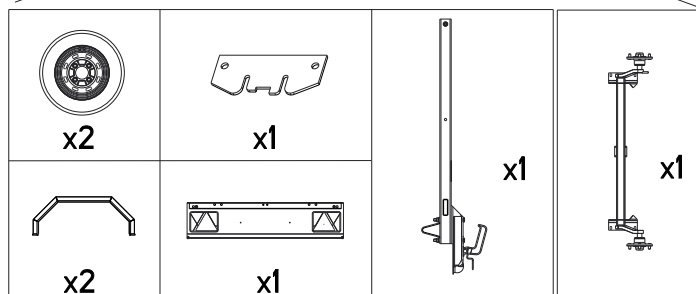
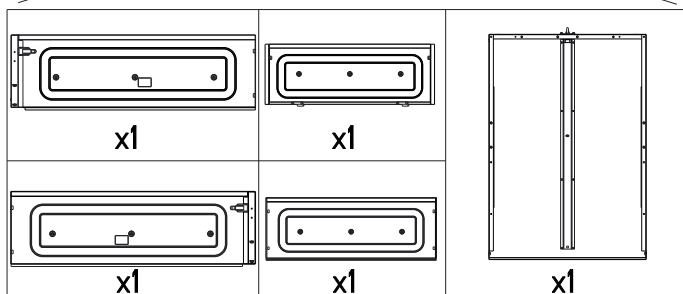
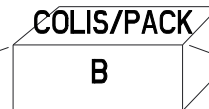
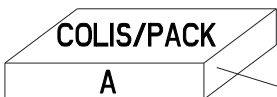
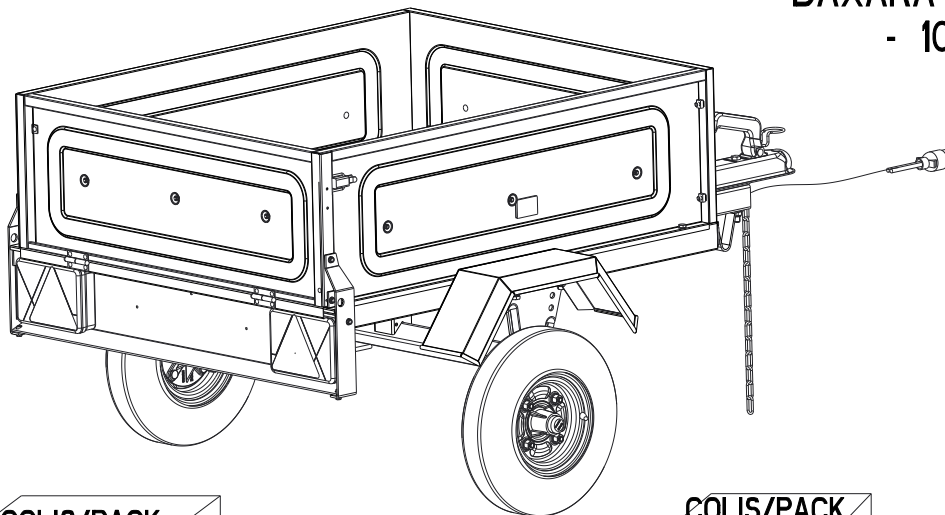


NOTICE DE MONTAGE ASSEMBLY INSTRUCTIONS

ERDE
- 102.2

DAXARA by erde
- 107.2

ERDE
WEEK-END



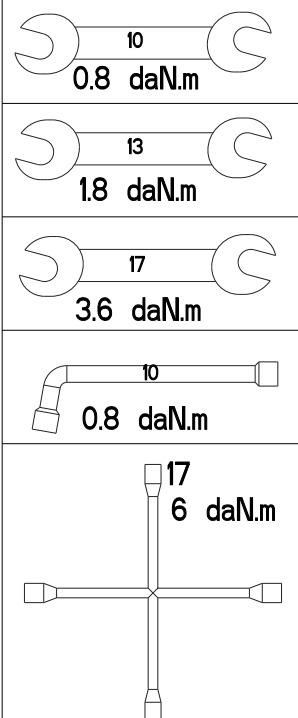
SACHET DE VIS / NUTS AND BOLTS CONTENT

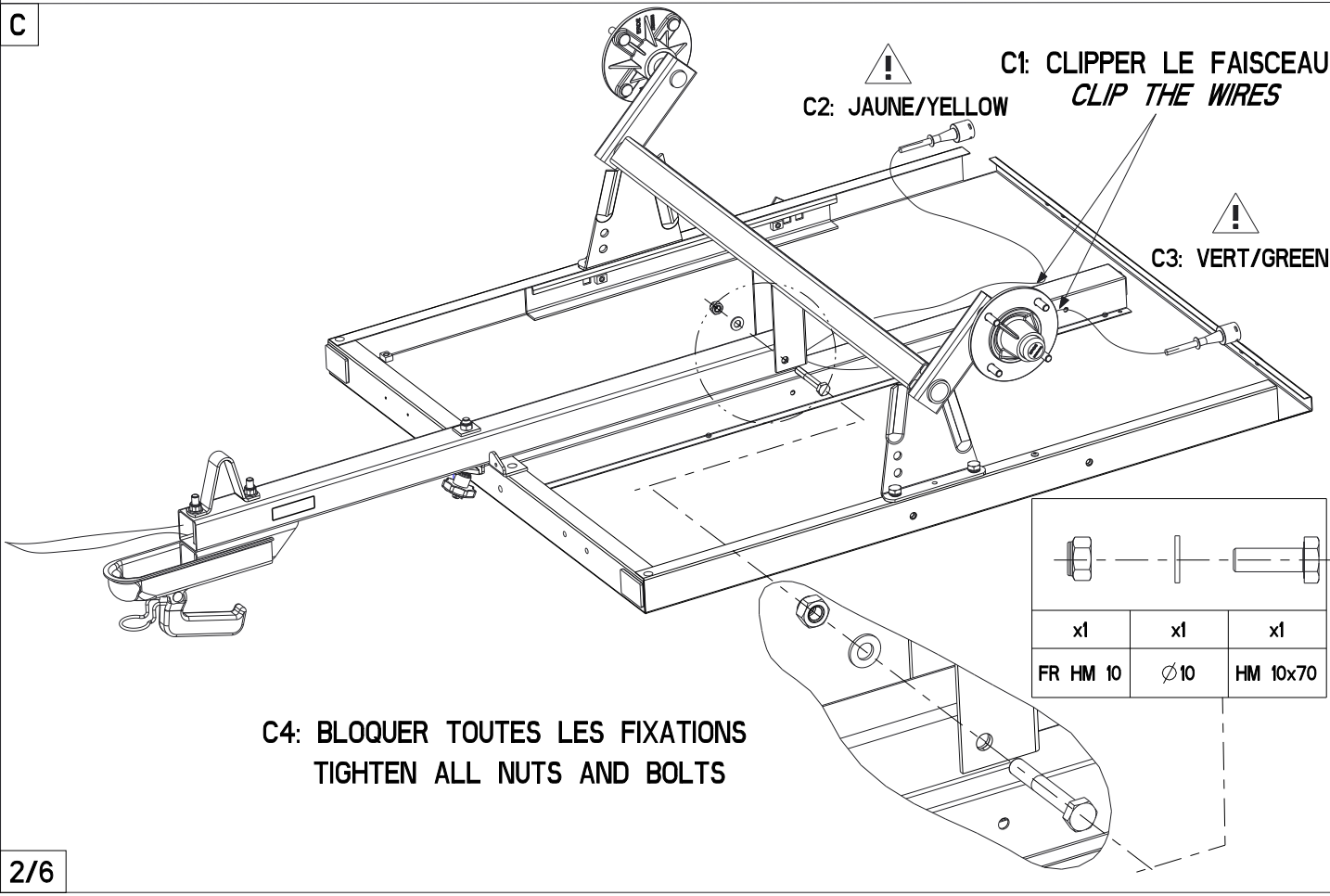
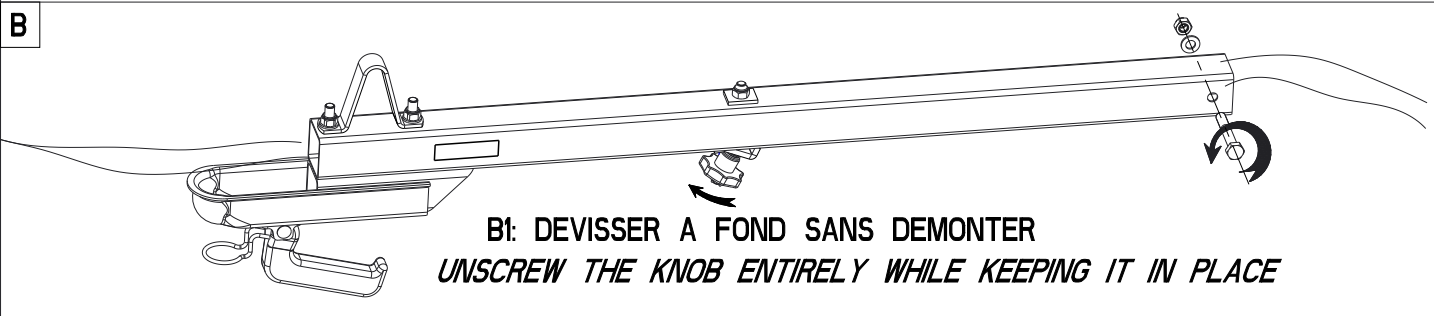
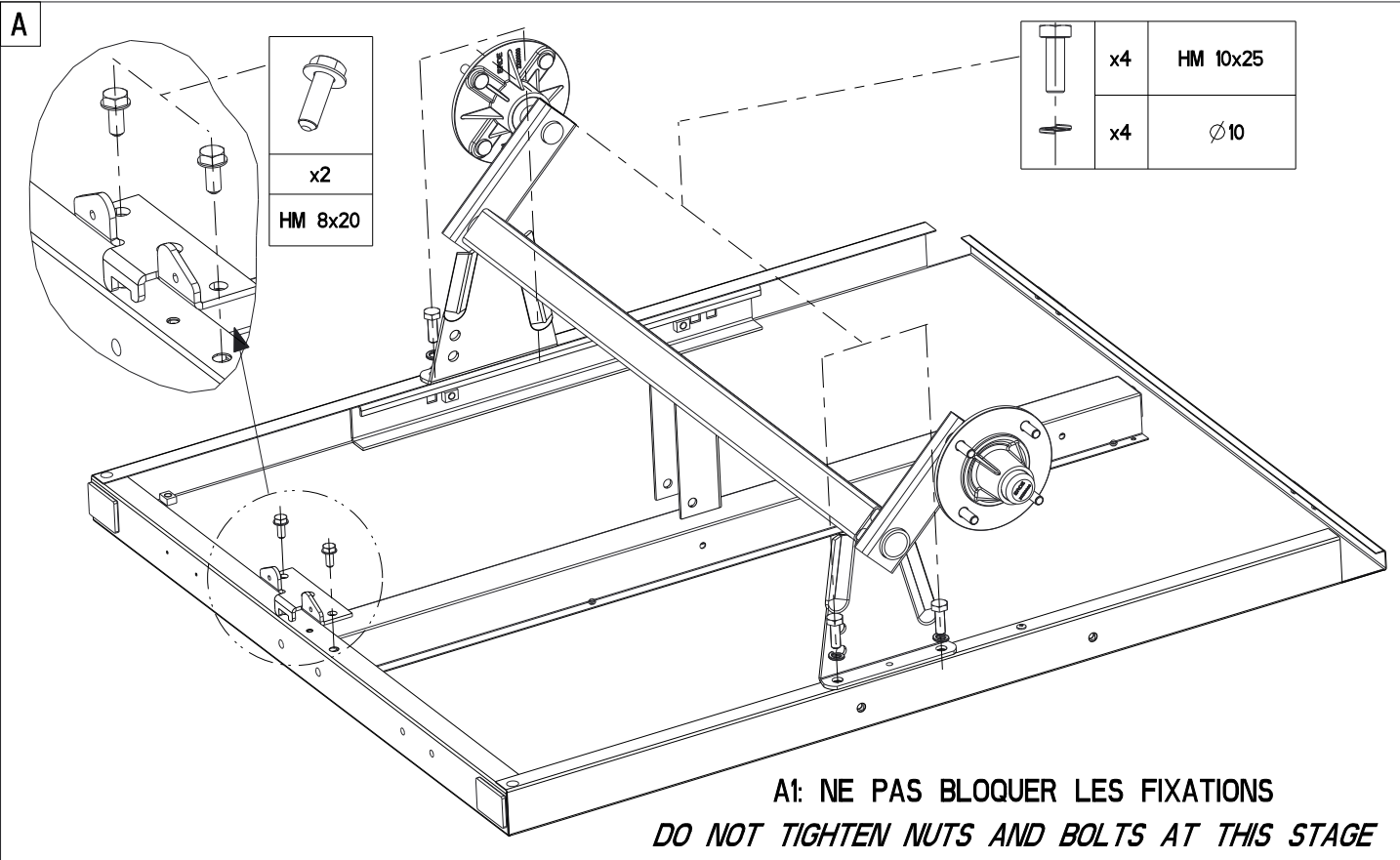
x4	x4	x10	x4	x4
HM 10x25	HM 8x25	HM 8x20	EQUERRE SQUARE	HM 6x12
x4	x 8	x1		
∅ 10	∅ 10	TRL 8x16		



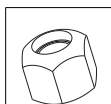
PORTER DES GANTS POUR LE MONTAGE.
IT IS RECOMMENDED TO WEAR GLOVES
FOR ASSEMBLY.

OUTILS NECESSAIRES POUR LE MONTAGE NON FOURNIS
NECESSARY TOOLS FOR ASSEMBLY: NOT PROVIDED



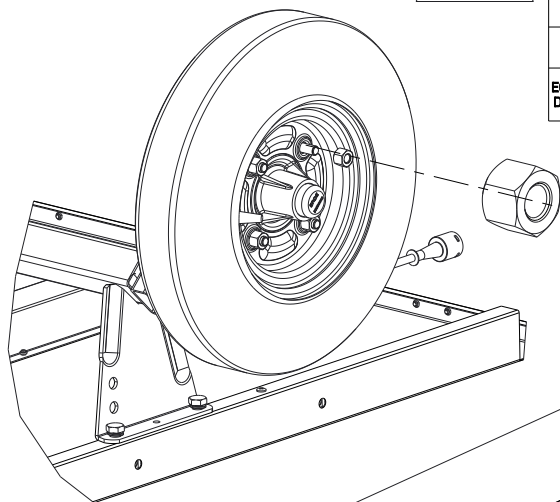


D D1: FACE BOMBÉE DE L'ECROU
CONTRE LA JANTE
DOMED HEAT AGAINST
THE WHEEL RIM



x8

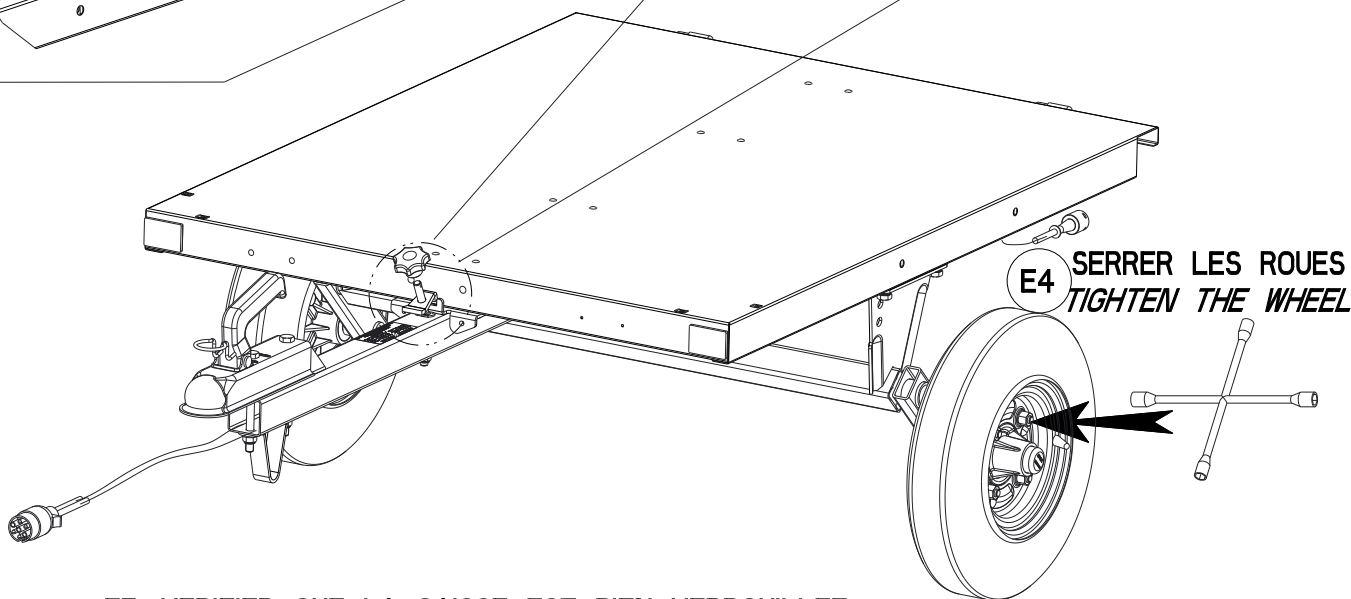
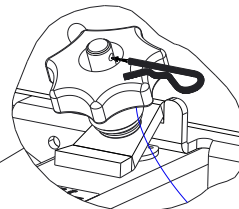
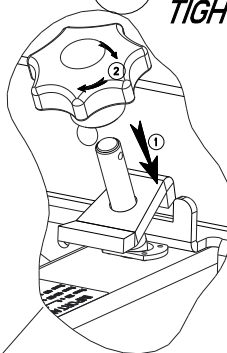
ECROU DE ROUE
D2: WHEEL NUT



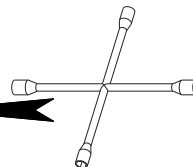
E E1 RETOURNER LA REMORQUE
TURN UP THE TRAILER ON ITS WHEELS

E2 SERRER FERMEMENT
TIGHTEN FIRMLY

E3 POSITIONNER LA GOUPILLE
PUT THE PIN IN PLACE

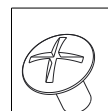


E4 SERRER LES ROUES
TIGHTEN THE WHEEL



E5: VERIFIER QUE LA CAISSE EST BIEN VERROUILLEE
CHECK THAT THE FRAME IS PROPERLY LOCKED

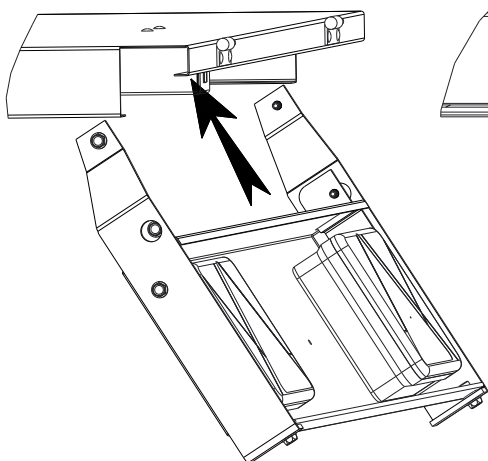
F



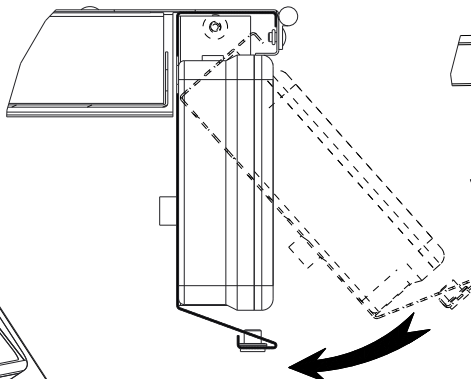
x1

TRL 8x16

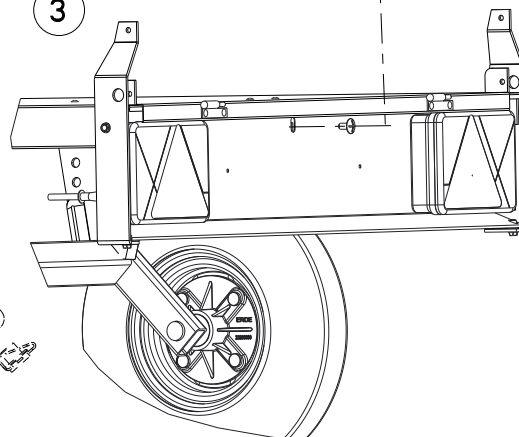
1



2

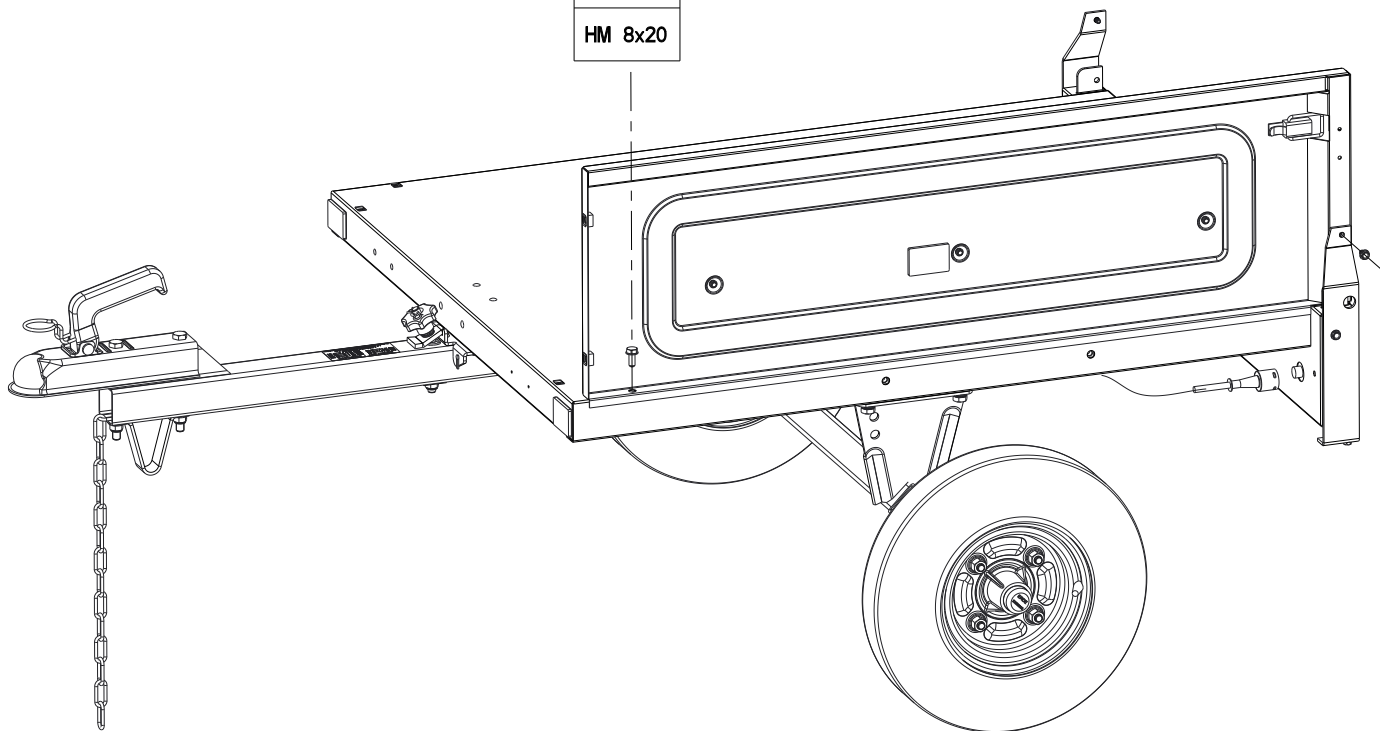
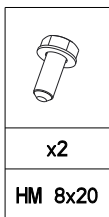


3

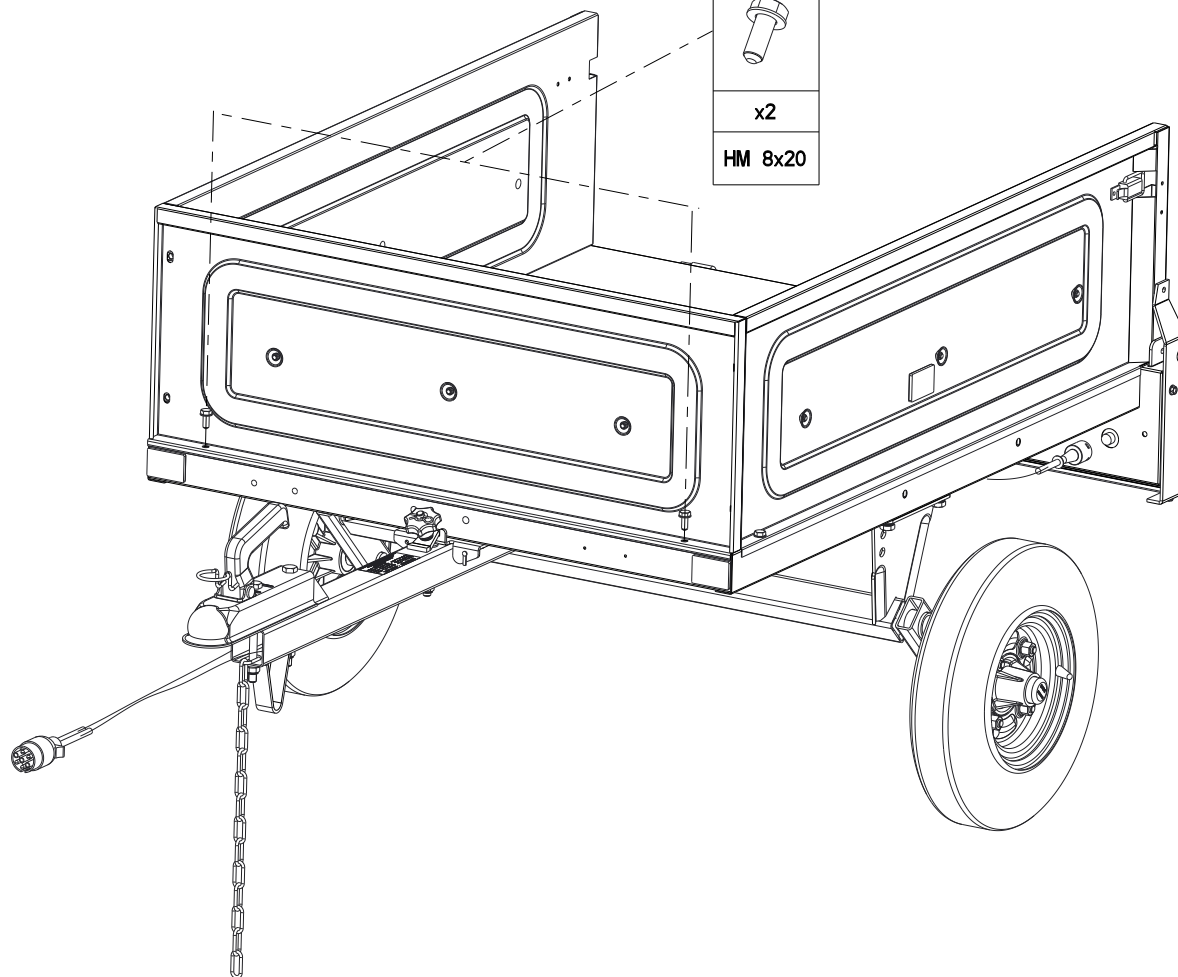
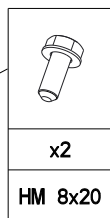


G

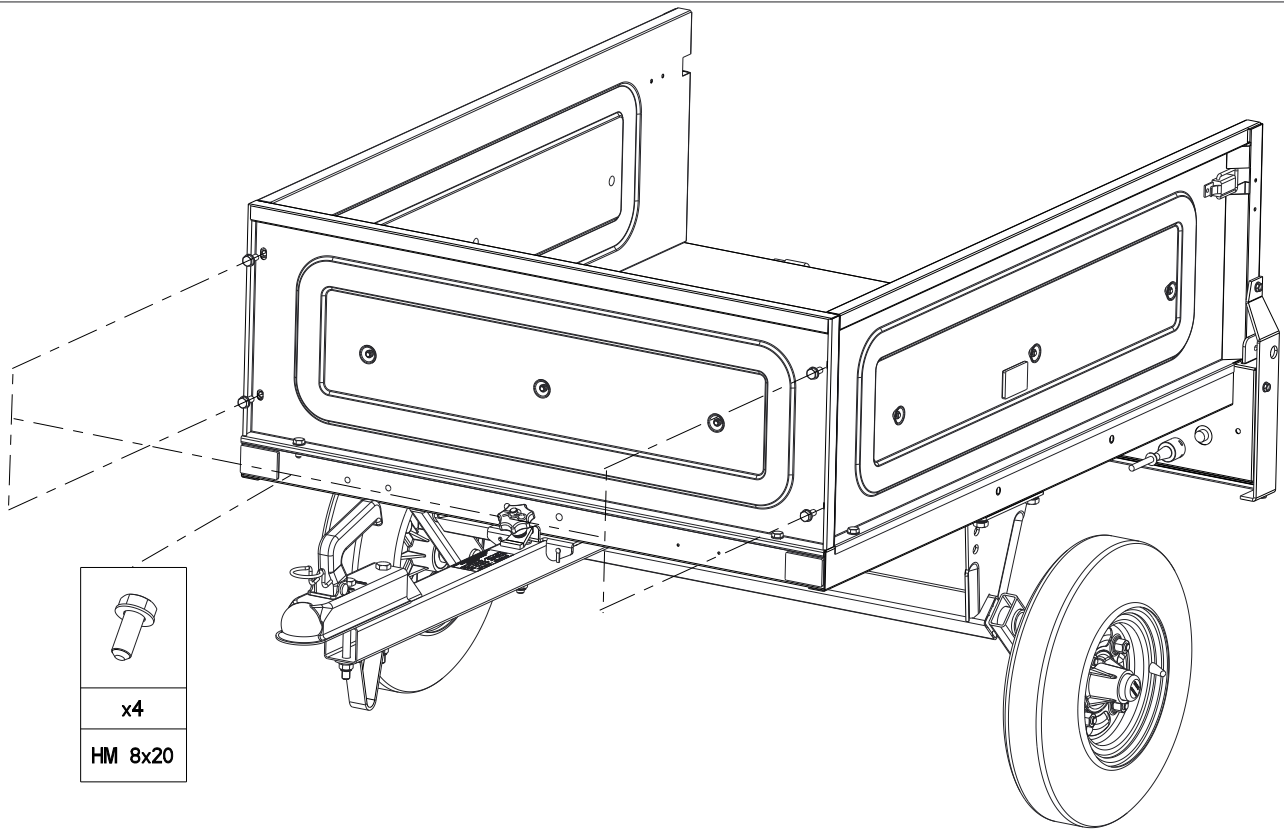
G1: NE PAS BLOQUER LES FIXATIONS DES OPERATIONS SUIVANTES
DO NOT TIGHTEN NUTS AND BOLTS AT THE FOLLOWING STEPS




H

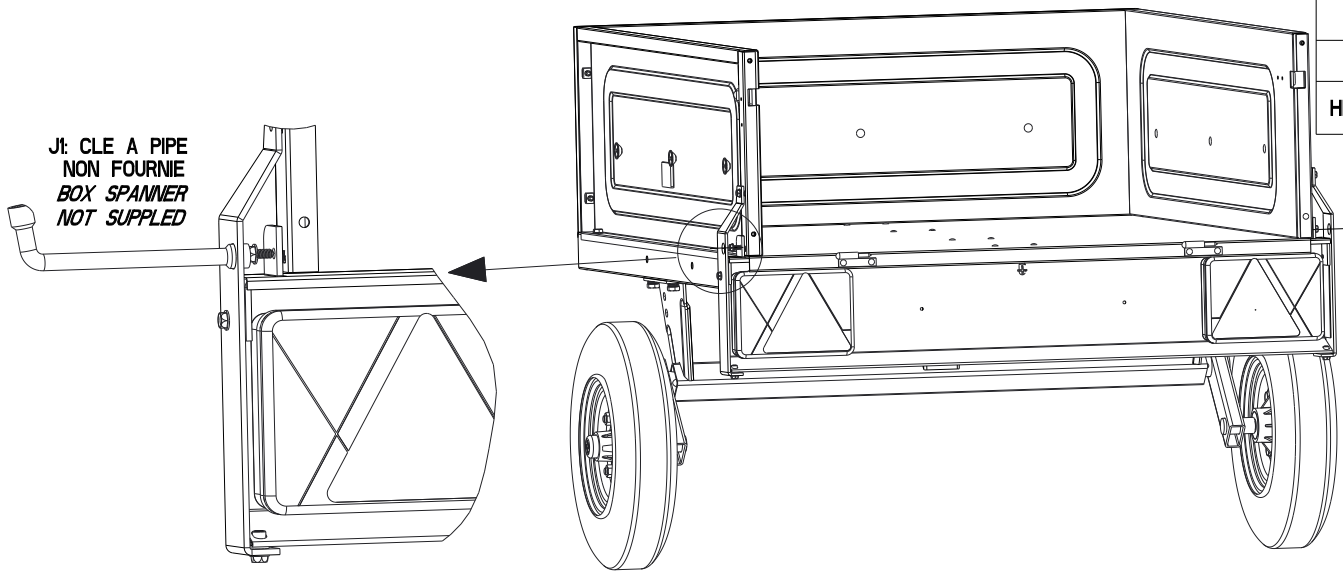


I





x4
HM 8x20

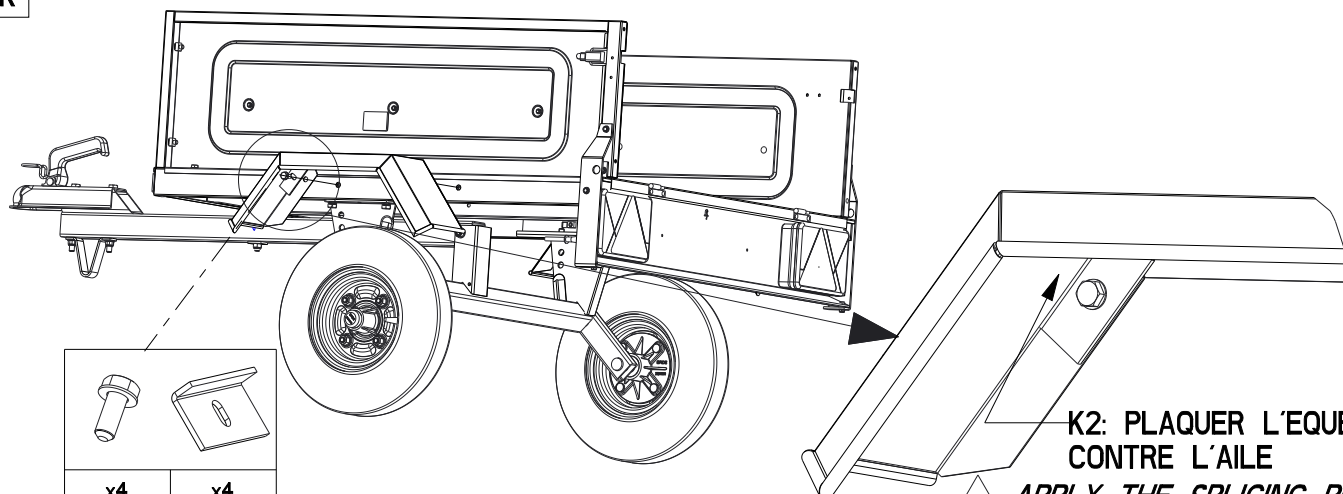
J





J1: CLE A PIPE
NON FOURNIE
BOX SPANNER
NOT SUPPLIED


x2
HM 6x12

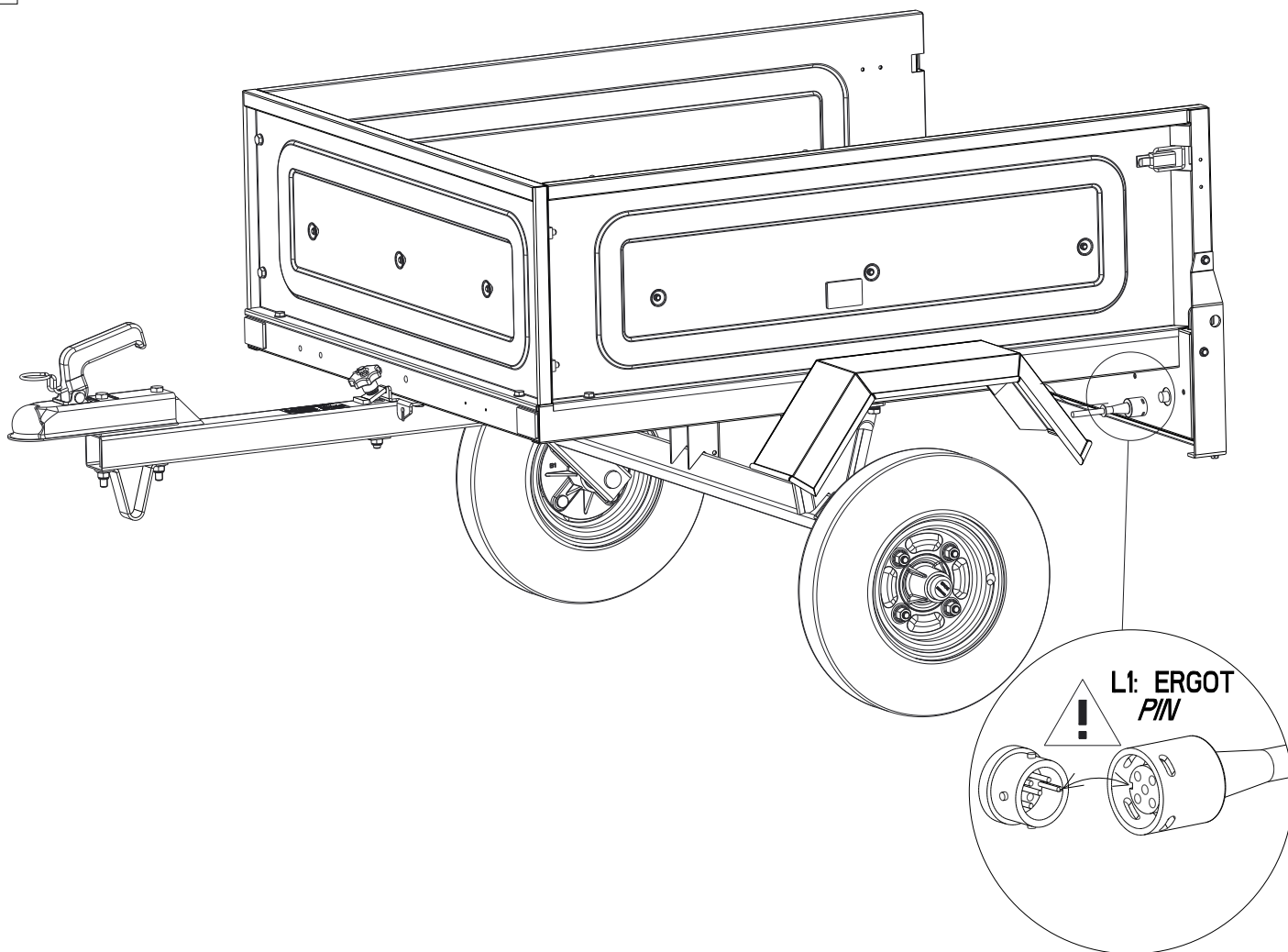
K



	
x4	x4
HM 8x25	K1: EQUERRE SQUARE

K2: PLAQUER L'EQUERRE
CONTRE L'AILE
! APPLY THE SPLICING PLATE
AGAINST THE MUDGUARD

L



M

**M1: BLOQUER TOUTES LES FIXATIONS
DES OPERATIONS PRECEDENTES
TIGHTEN ALL NUTS AND BOLTS
OF THE OPERATION ABOVE**

