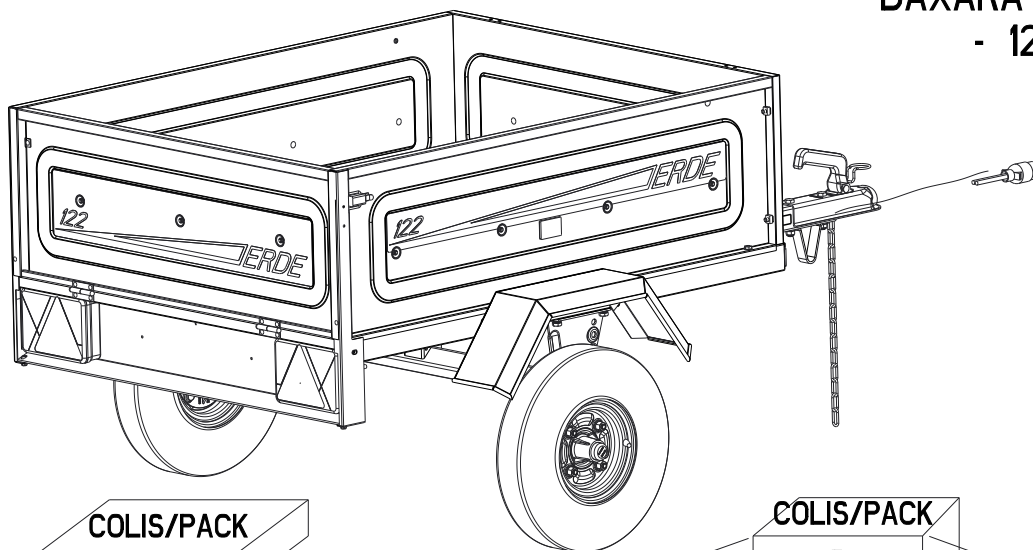


NOTICE DE MONTAGE ET D'UTILISATION ASSEMBLY AND USAGE INSTRUCTIONS

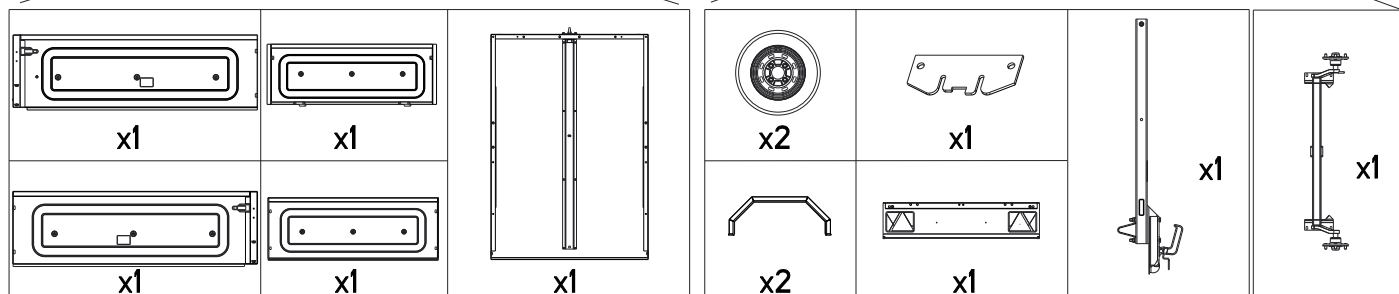
ERDE
- 122.2

DAXARA by erde
- 127.2




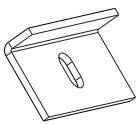







COLIS/PACK
A

COLIS/PACK
B

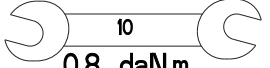
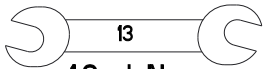
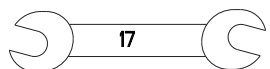

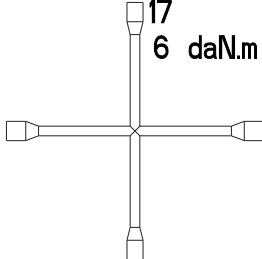


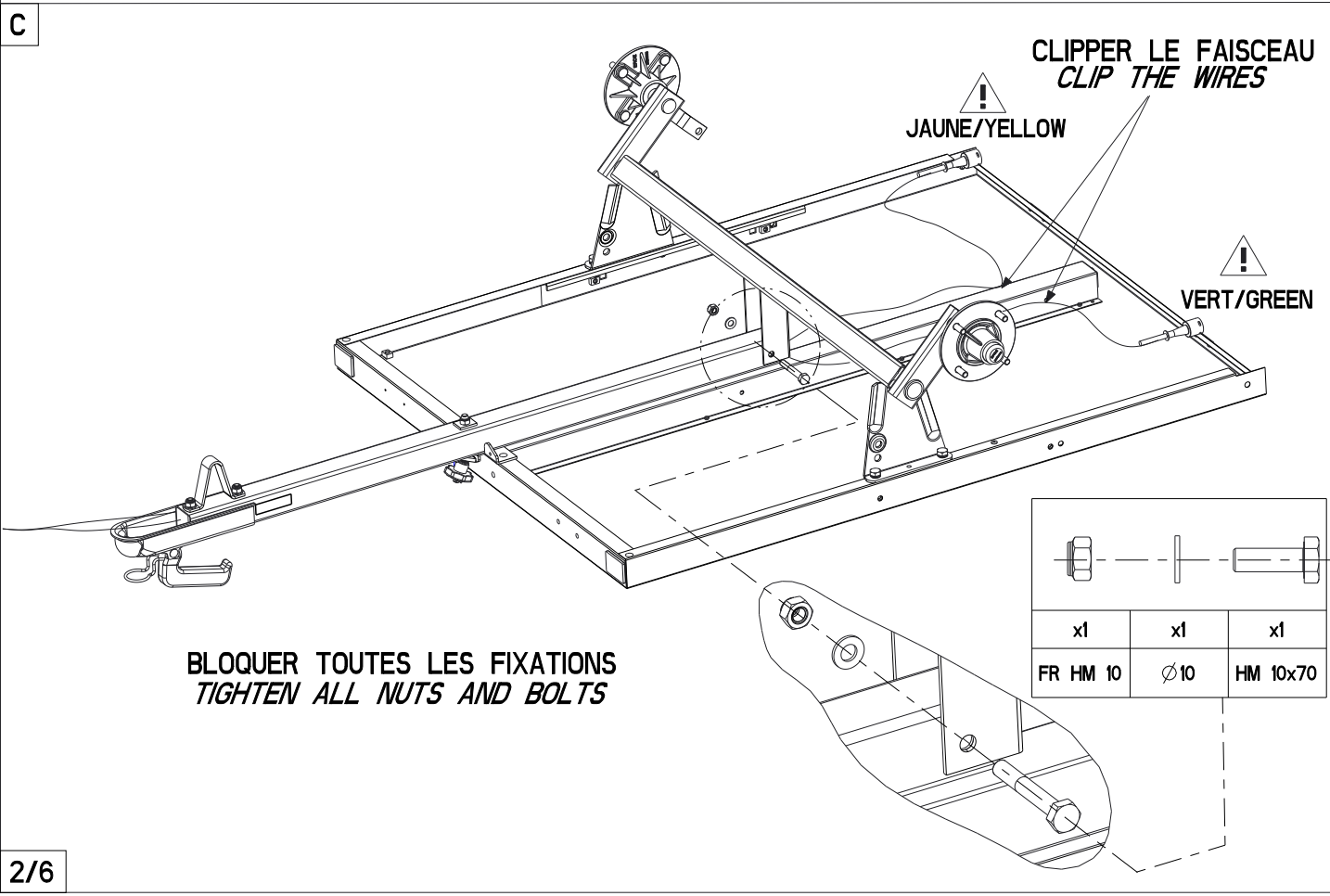
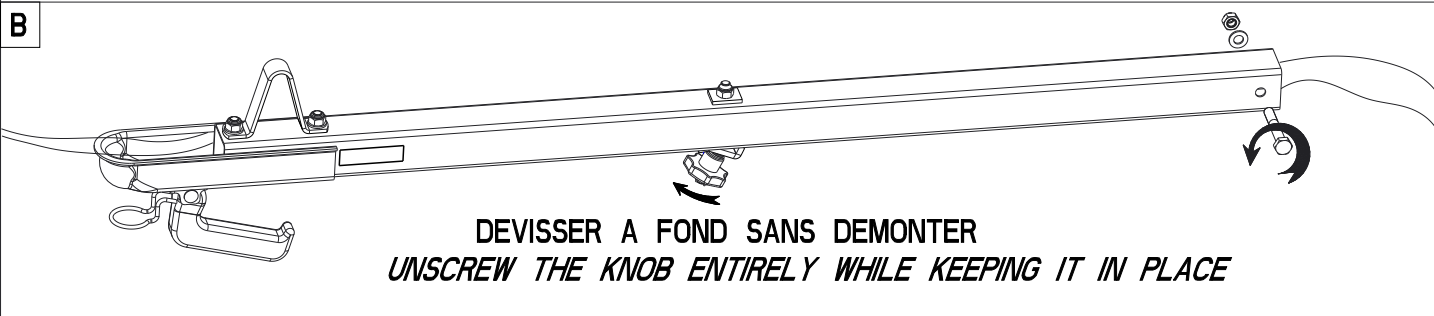
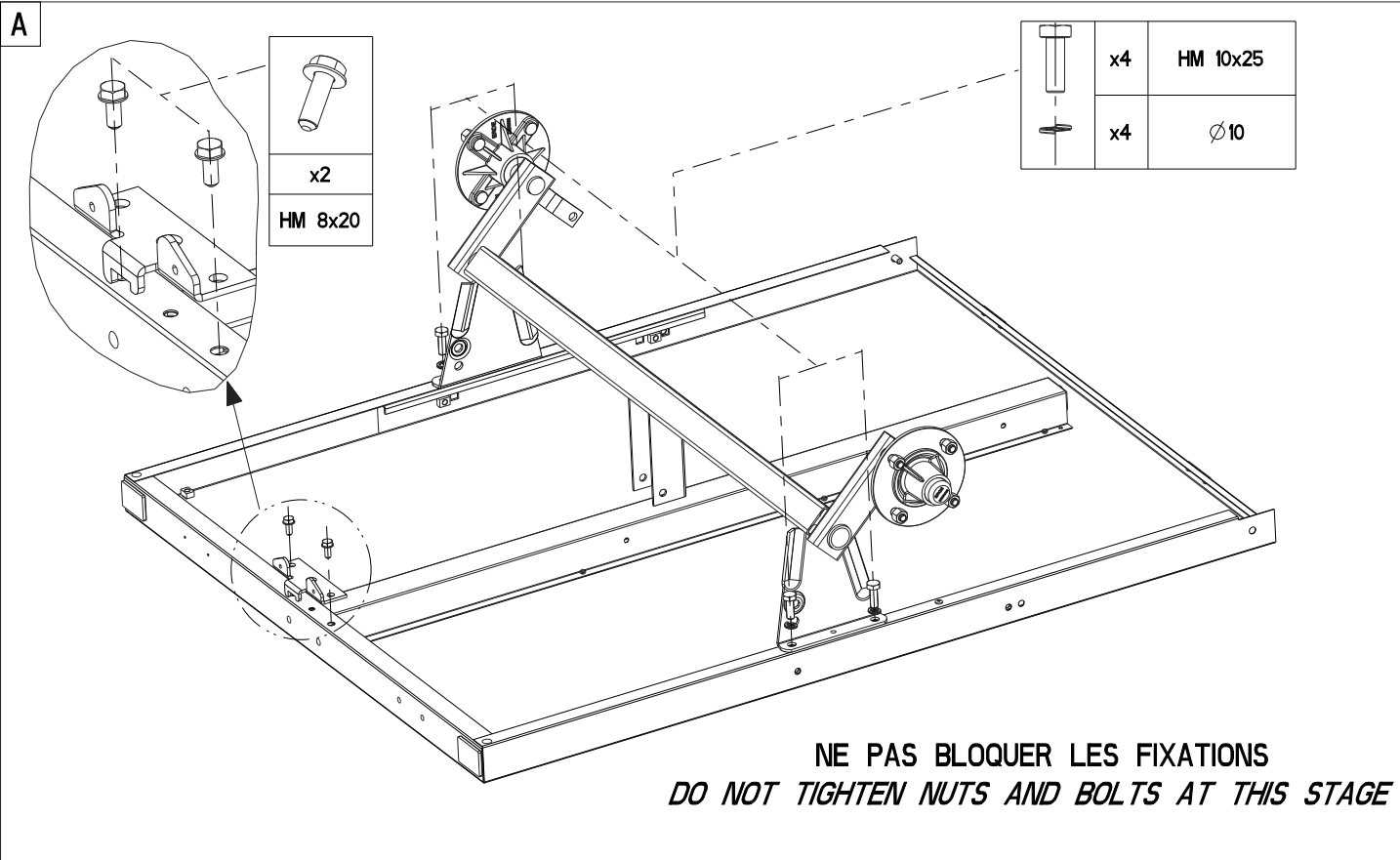
SACHET DE VIS / NUTS AND BOLTS CONTENT

				
x4	x4	x12	x4	x2
HM 10x25	HM 8x25	HM 8x20	EQUERRE SQUARE	HM 6x12
				
x4	x 8	x1		
∅ 10	∅ 10	TRL 8x16		

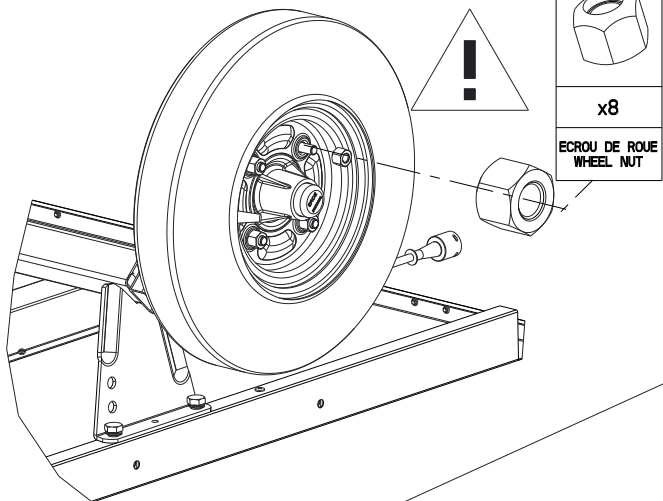
 **PORTER DES GANTS POUR LE MONTAGE.**
IT IS RECOMMENDED TO WEAR GLOVES FOR ASSEMBLY.

**OUTILS NECESSAIRES POUR LE MONTAGE NON FOURNIS
NECESSARY TOOLS FOR ASSEMBLY. NOT PROVIDED**

	10 0.8 daN.m
	13 1.8 daN.m
	17 3.6 daN.m
	
	17 6 daN.m



D FACE BOMBÉE DE L'ECROU CONTRE LA JANTE
DOOMED HEAT AGAINST THE WHEEL RIM

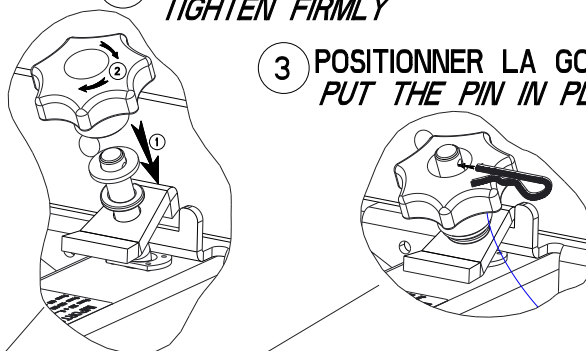


E

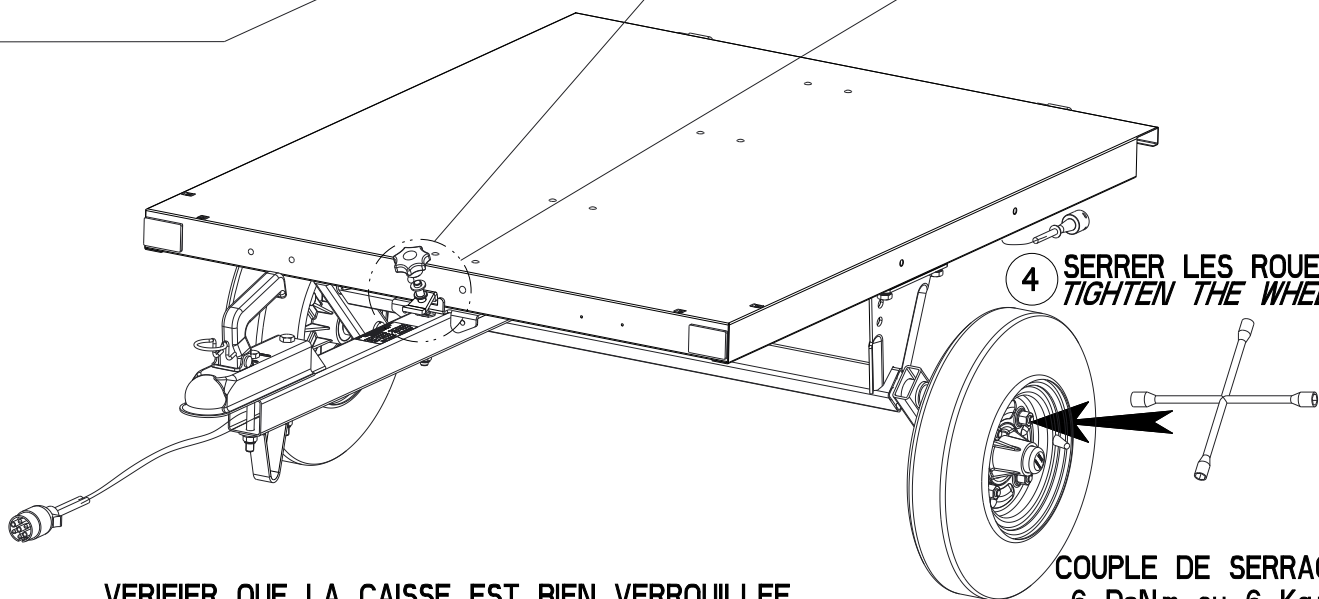
1 RETOURNER LA REMORQUE
TURN UP THE TRAILER ON ITS WHEELS

2 SERRER FERMEMENT
TIGHTEN FIRMLY

3 POSITIONNER LA GOUPILLE
PUT THE PIN IN PLACE

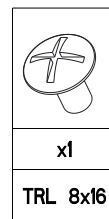


4 SERRER LES ROUES
TIGHTEN THE WHEEL

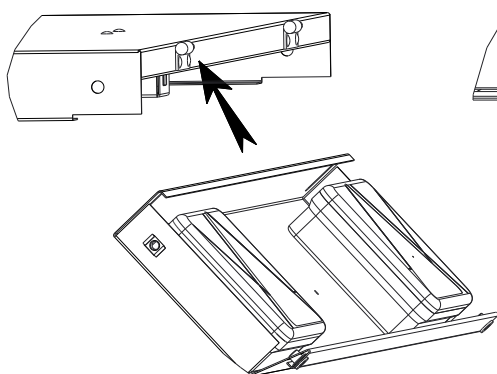


VERIFIER QUE LA CAISSE EST BIEN VERROUILLEE
CHEK THAT THE FRAME IS PROPERLY LOCKED

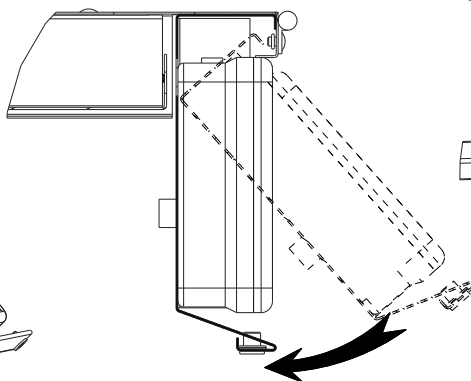
F



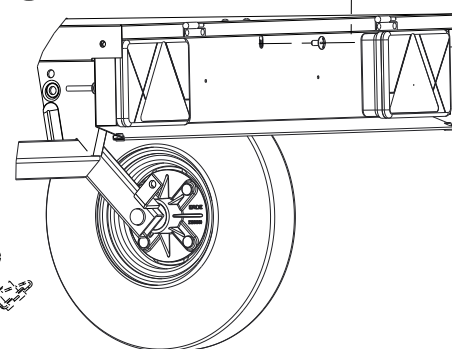
1



2

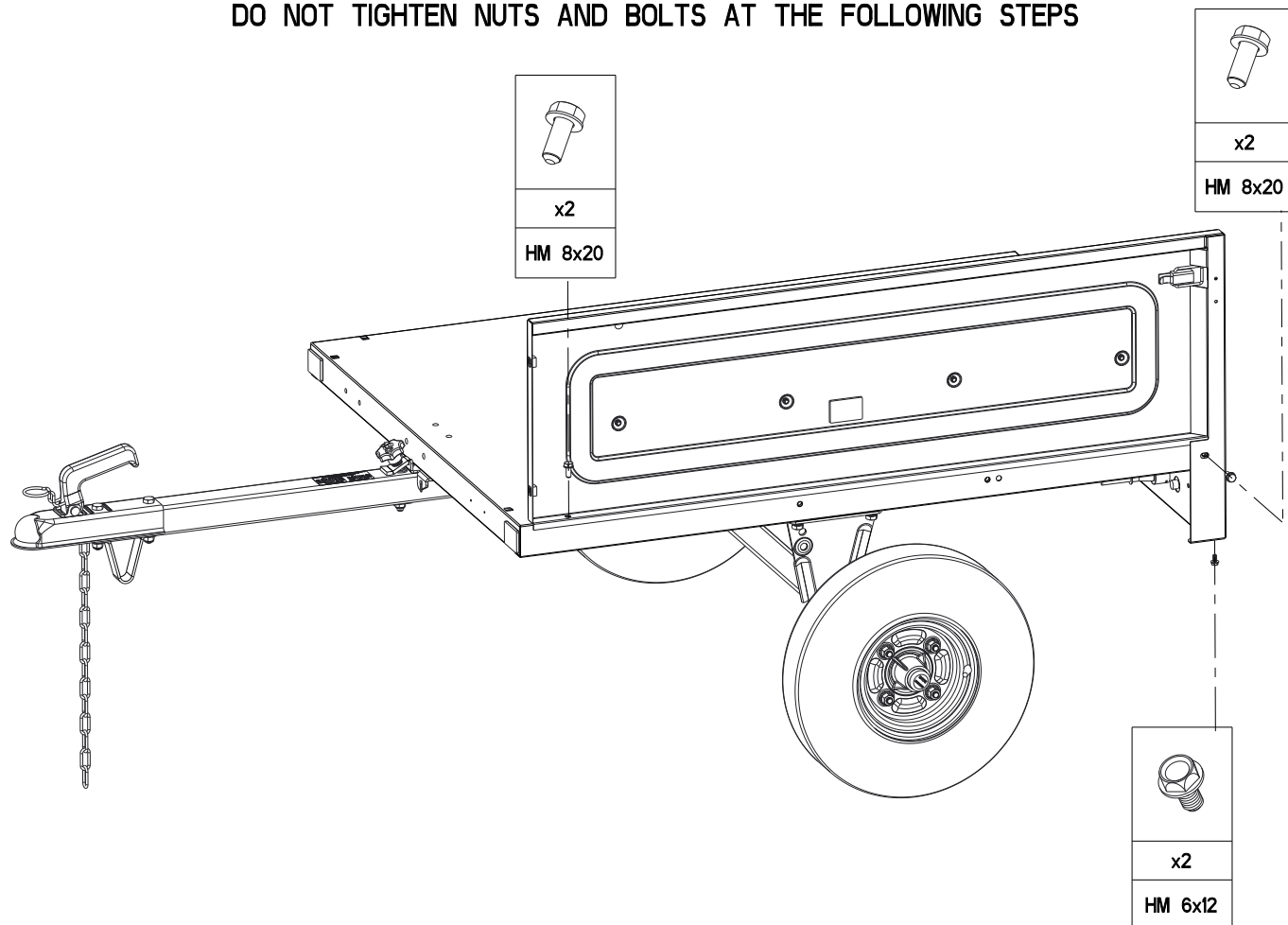


3

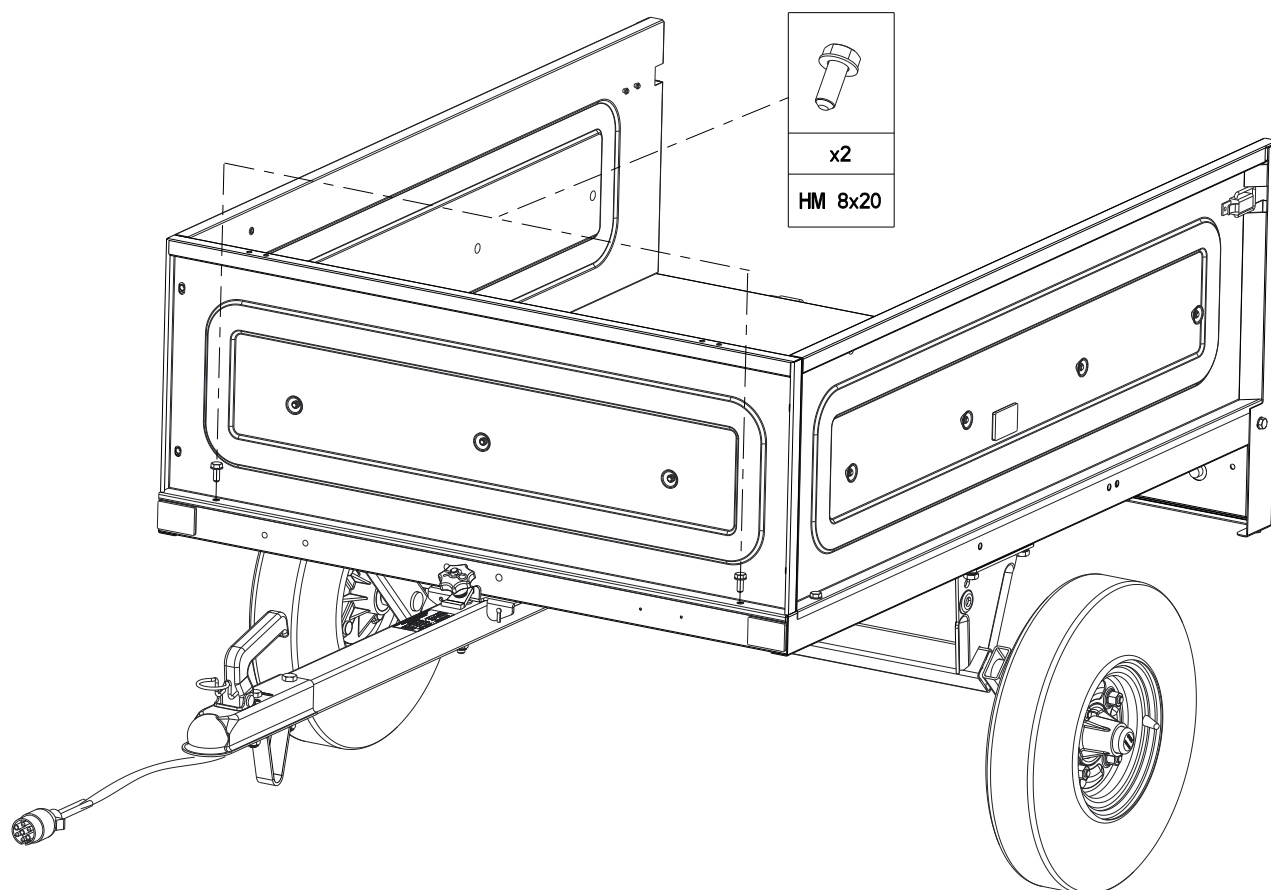


G

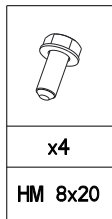
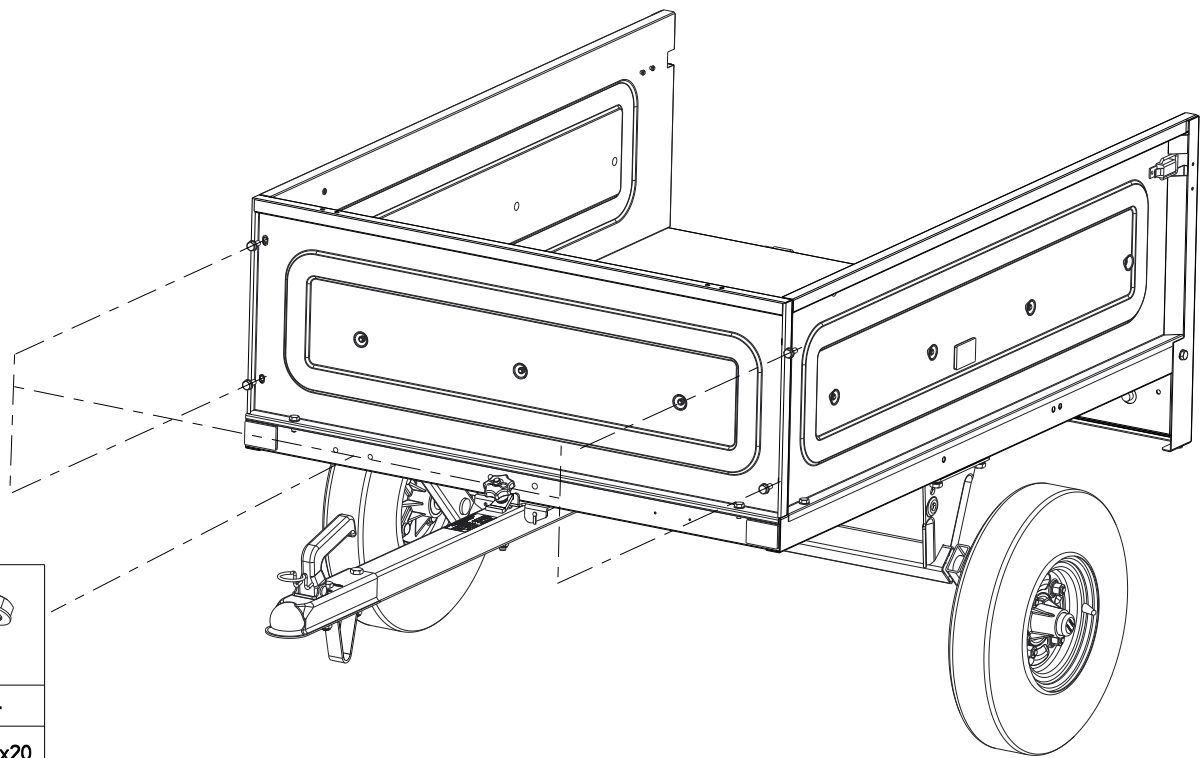
NE PAS BLOQUER LES FIXATIONS DES OPERATIONS SUIVANTES
DO NOT TIGHTEN NUTS AND BOLTS AT THE FOLLOWING STEPS



H



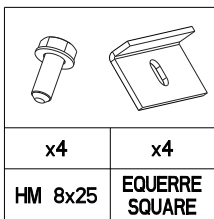
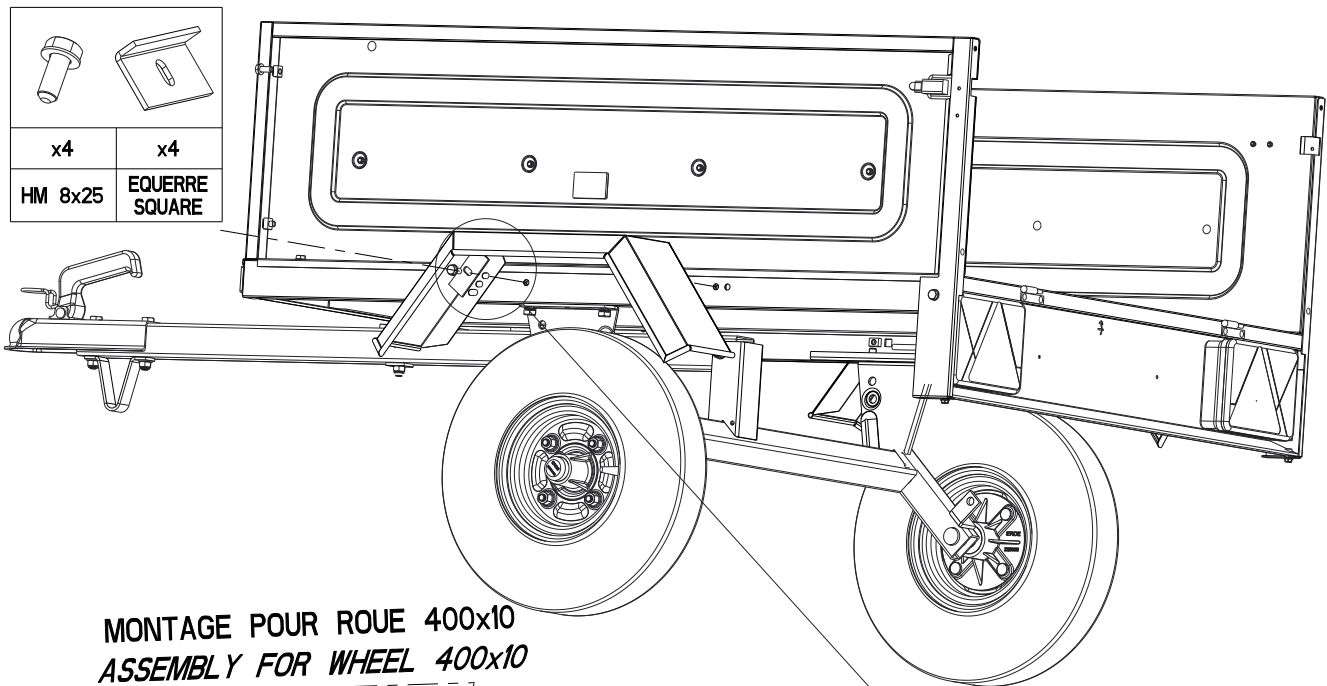
I



x4

HM 8x20

J



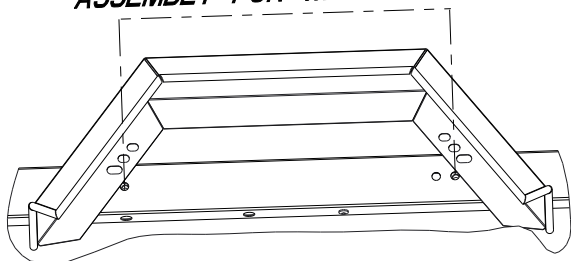
x4

HM 8x25

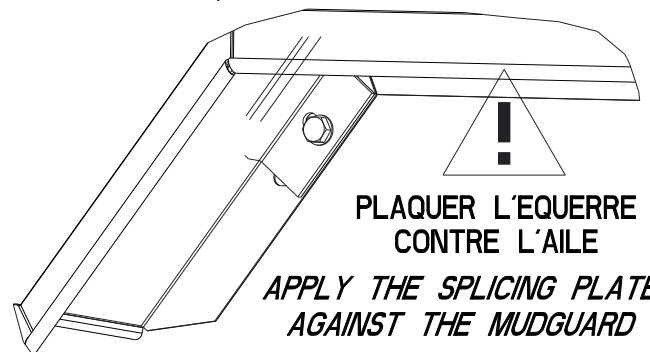
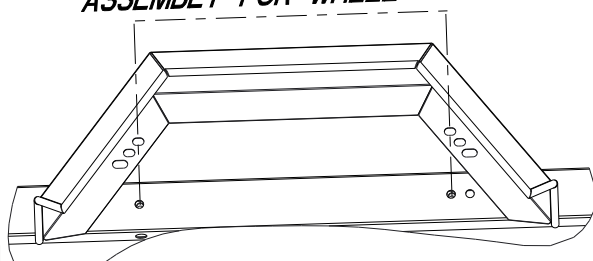
x4

EQUERRE
SQUARE

MONTAGE POUR ROUE 400x10
ASSEMBLY FOR WHEEL 400x10

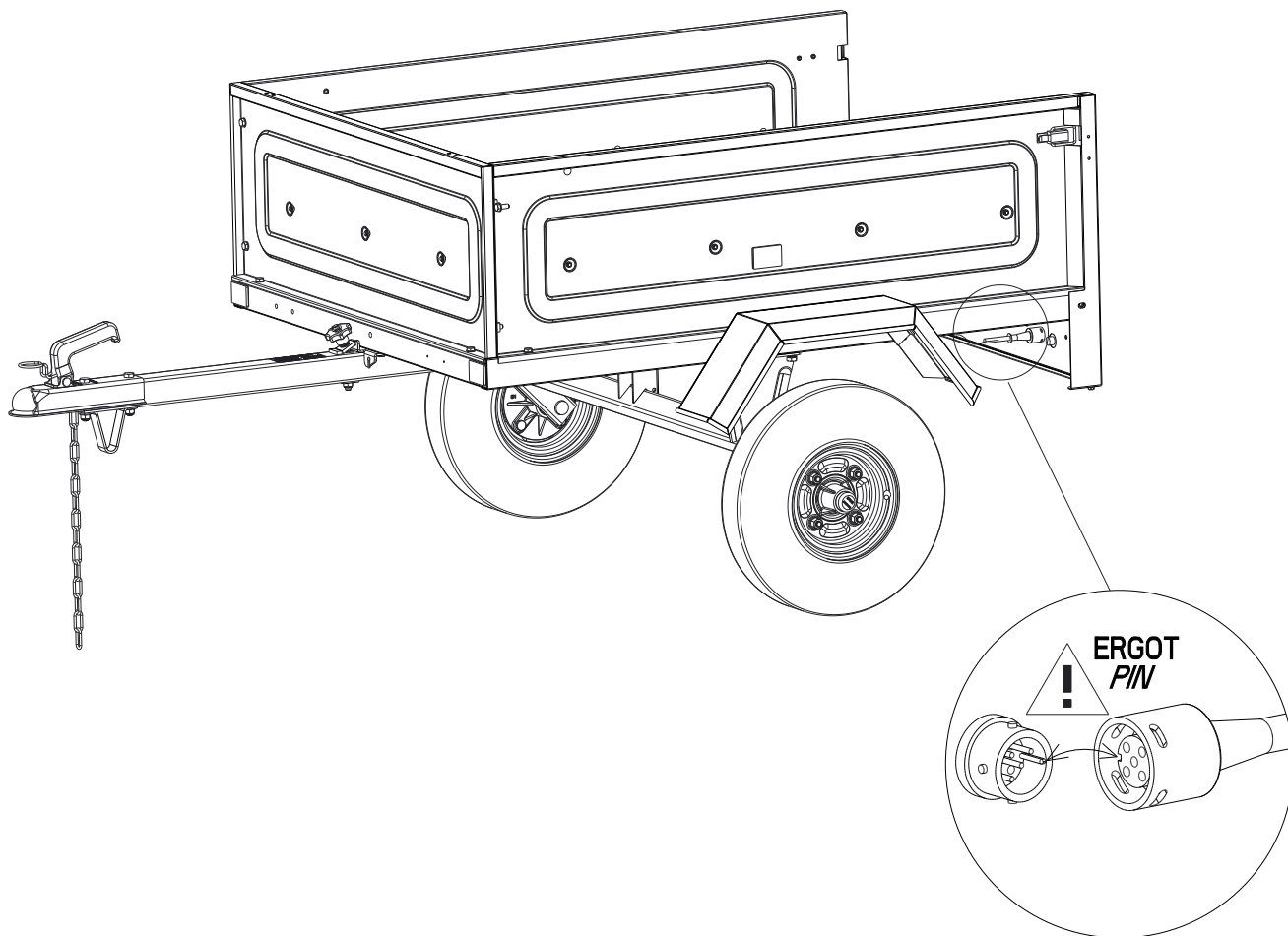


MONTAGE POUR ROUE 480x8
ASSEMBLY FOR WHEEL 480x8



PLAQUER L'EQUERRE
CONTRE L'AILE
APPLY THE SPLICING PLATE
AGAINST THE MUDGUARD

K



L

**BLOQUER TOUTES LES FIXATIONS
DES OPERATIONS PRECEDENTES
*TIGHTEN ALL NUTS AND BOLTS
OF THE OPERATIONS ABOVE***

